

PATIO HEATER TECH SPECS

All 4000-CB models have 31" diameter one piece reflector

PORTABLE SERIES 4000-CB

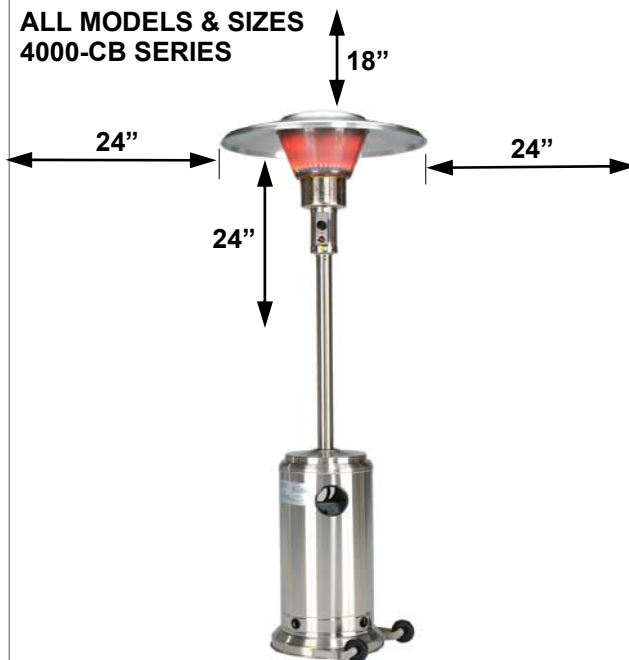
MODEL NO.	BTU/Hr	GAS	PUSH BUTTON IGNITION	FINISH	DIMENSION H x W	WHEELS	CYLINDER	WEIGHT IN LBS.
4005-CB	45,000	LP	BATTERY SPARK	STAINLESS STEEL	89 3/4" x 32 1/4"	YES	30 OR 20 lb. cyl.	37

POST MOUNT SERIES 4BN/L-CB, 4SN/L-CB

MODEL NO.	BTU/Hr	GAS	PUSH BUTTON IGNITION	FINISH	DIMENSION HEIGHT x WIDTH	GAS PRESURE		GAS INLET	MOUNTING	WEIGHT IN LBS.
						MANIFOLD	MAX. INLET			
4SN5-CB	45,000	NAT	BATTERY SPARK	STAINLESS STEEL	90 1/2" x 32"	5" W.C.	14" W.C.	1/2"	FLOOR/DECK	50
4SL5-CB	45,000	LP	BATTERY SPARK	STAINLESS STEEL	90 1/2" x 32"	10" W.C.	14" W.C.	1/2"	FLOOR/DECK	50

MINIMUM CLEARANCES TO COMBUSTIBLES:

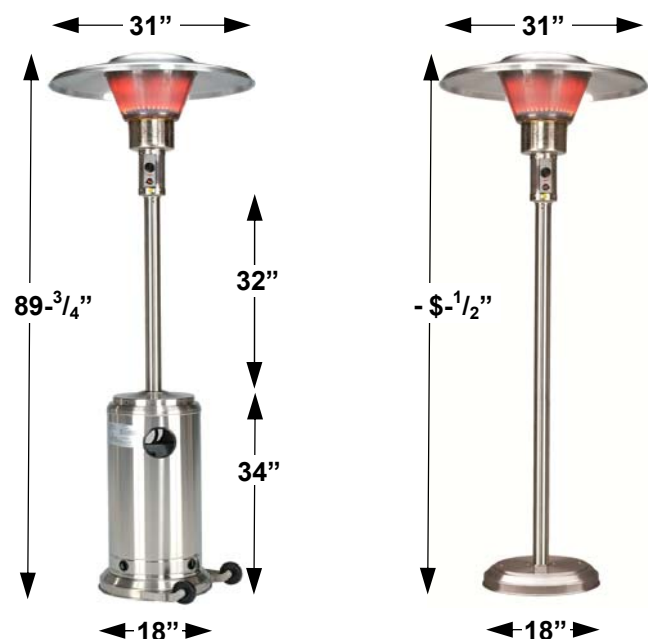
ALL MODELS & SIZES
4000-CB SERIES



MODEL DIMENSIONS

PORTABLE: 4002-CB
4005-CB

FIXED MOUNT: 4BN/L6-CB
4SN/L5-CB



4002/5-CB SHIPPING: DISPLAY CARTON = 18" x 18" x 35" + REFLECTOR CARTON
4N/L5/6 POST SERIES SHIPS IN THREE CARTONS: BURNER & BASE, POST, REFLECTOR

SERIES 4000-CB Tech-Specs
TS080730
RD: MAY 2021
RL: 3A