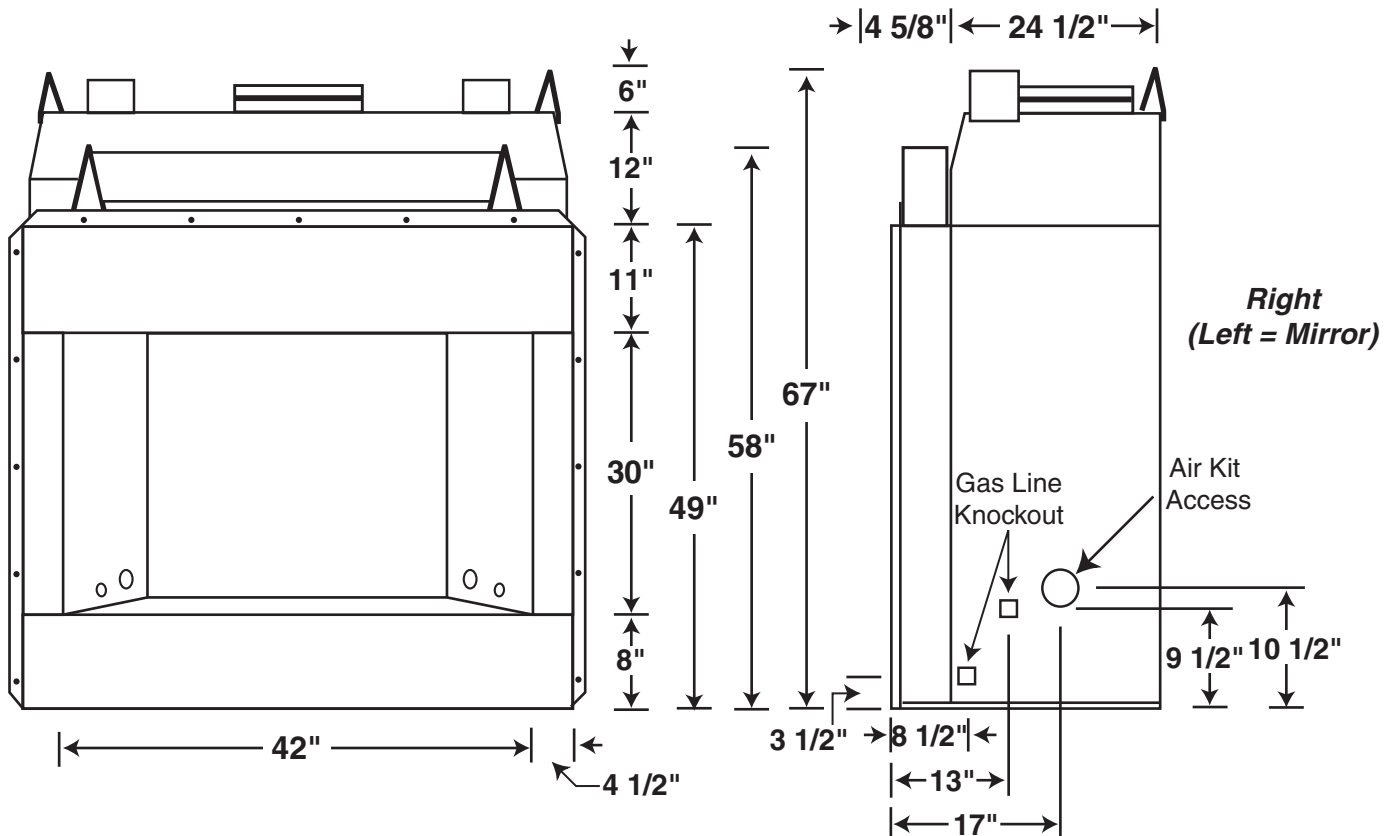
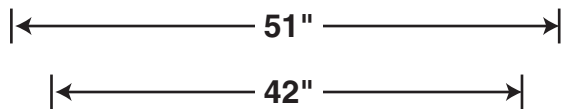
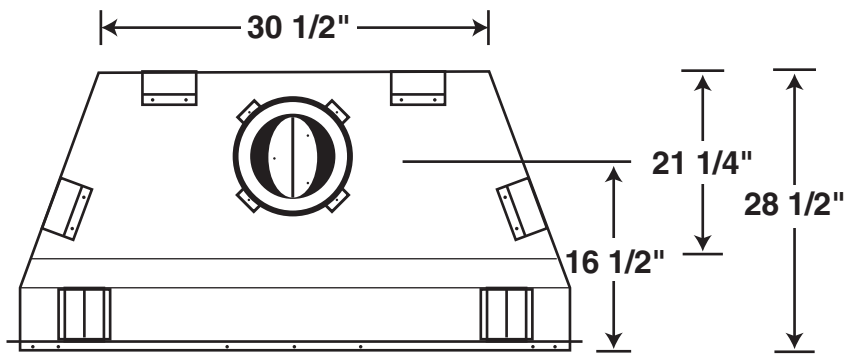


# Premium Line

## 42" Woodburning Fireplace

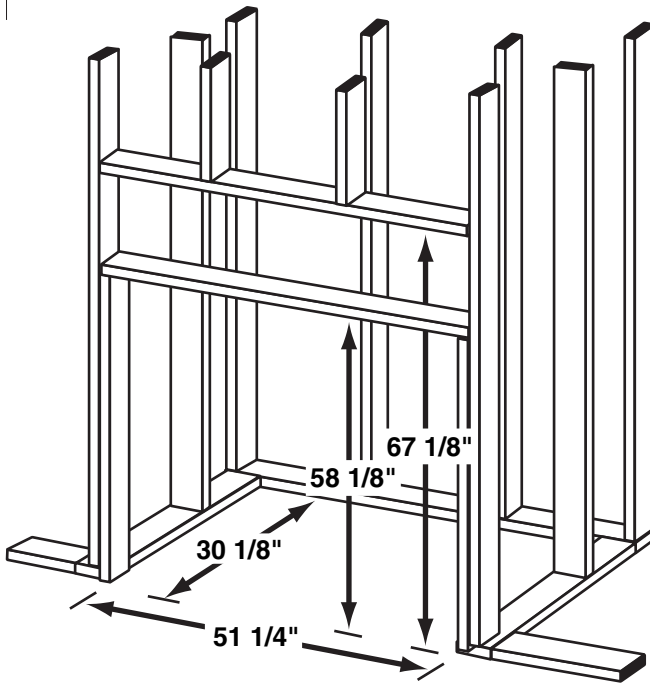
Vent Pipe Size	12"
Min. Pipe Clearance	2"
Min. System Height	16'
- w/ Single Offset	16'
- w/ Two Offsets	22' 0"
Max. Dist. Between Elbows	6' 0"
Max. System Height	50' 0"



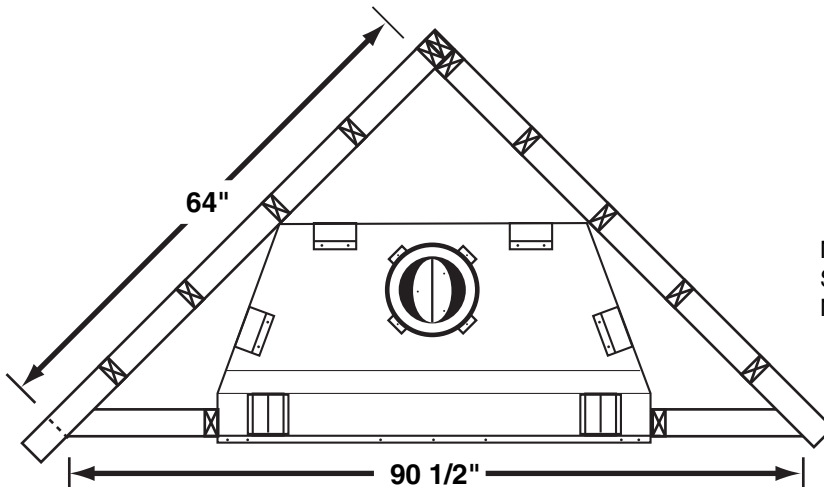
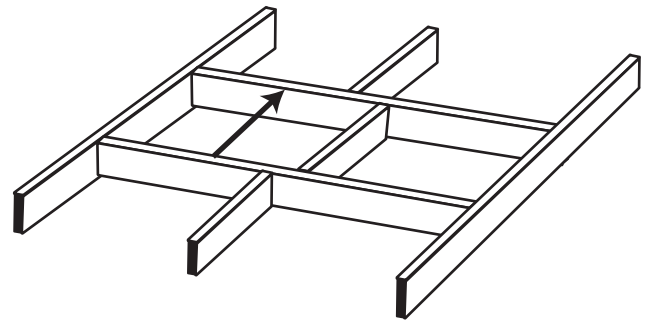
# Premium Line

42" Woodburning Fireplace

## Framing Dimensions



Ceiling / Roof Opening		w/ 30°
Pitch	Opening	Offset
Flat	19"	22"
0 - 6/12	22"	N/A
6/12 - 12/12	27"	N/A



Maintain 1 1/2" Clearance at Sides and Back of Fireplace  
Not Required at Nailing Flange

**NOTE:**

A Hearth Extension Projecting a Minimum of 20" in Front of, and 12" Beyond Each Side of the Fireplace Opening is Required to Protect Combustible Floor Construction in Front Of the Fireplace. See Installation Instructions for Complete Information

**NOTE:**

Built-in Features Such as Mantels, Bookshelves, etc. Made of Combustible Materials Must Maintain Minimum Clearances from the Fireplace. See Installation Instructions for Complete Information