

*P*remium Masonry Fireplaces



COME IN FROM THE COLD.



Innovative Masonry Fireplaces
at a Fraction of the Time and Cost

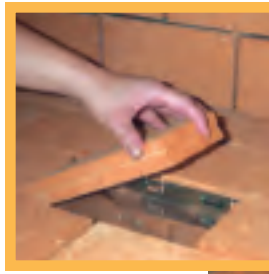
VANGUARD
HEATING PRODUCTS

A True Masonry Fireplace At A Fraction Of The Time And Cost

Vanguard introduces a truly remarkable fireplace with its Premium Masonry Wood Burning Fireplace. Out patent-pending "Click'n Brick"™ System duplicates the look and feel of a real masonry fireplace - but without the cost, and without the complex installation. Our Premium Masonry with the Click'n Brick System includes a stainless steel firebox specially designed to fit specially formulated bricks. These bricks are all pre-cut and labeled, and simply snap in place for the ultimate in wood burning fireplace beauty.

Homeowner Highlights

- **Eye-dazzling beauty** - Vanguard's Premium Masonry models boast enormous opening dimensions and clean face design with no visible interior sheet metal for a true masonry appearance.
- **Firebrick liner** - Vanguard's patent pending firebrick (GM) models take the masonry concept to a new level. They're the industry's first, true masonry, factory built zero-clearance fireplaces! The firebrick kit includes snap lock templates, pre-cut and labeled bricks, and even a bag of hi-temp mortar to grout the finished fireplace.
- **Efficiency and performance** - Our Premium Masonry models come standard fully insulated, and vent with our 12" double wall pipe for trouble free operation and maximum heat output in any climate or condition.
- **Secure, straight installation** - We've added full length nailing flanges/drywall stops built into all 3 sides of the face frame.
- **Unparalleled value** - True hand crafted masonry firebox look and performance at a fraction of the cost and installation time.



Individual grooved bricks snap-lock securely into the stainless steel templates for easy installation.



Fireplace grout lines are finished using the high temp, refractory mortar included.



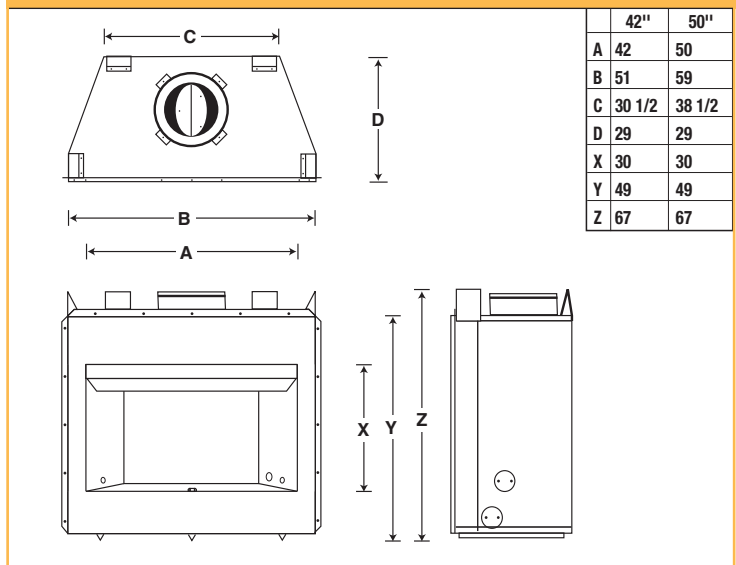
Each firebrick is pre-cut and labeled for location, and a perfect result every time.

PREMIUM MASONRY FIREPLACE		
MODEL NO	DESCRIPTION	SHIPPING WT.
VGM42	42" Smooth Faced Wood Burning Fireplace with Standard Liner	679.0 lbs.
VGM42H	42" Smooth Faced Wood Burning Fireplace with Herringbone Liner	679.0 lbs.
VGM50	50" Smooth Faced Wood Burning Fireplace with Standard Liner	696.0 lbs.
VGM50H	50" Smooth Faced Wood Burning Fireplace with Herringbone Liner	696.0 lbs.

ACCESSORY OFFERING SUMMARY

- Masonry Bi-fold Glass Door System (Ebony, Pewter & Oiled Bronze)
- Outside Combustion Air Kits
- Models Available with Distinctive Herringbone Brick Pattern

DIMENSIONS



IMPORTANT

Installation must be done by qualified service persons. For warranty information please consult the owner's manual.
 Read Owner's Manual before using.
 Check local codes and ordinances for permitted uses.
 We reserve the right to amend product specifications without notice.

VANGUARD

DESA
HEATING PRODUCTS

www.VanguardHeat.com
Bowling Green, KY 42101 (866) 672-6040

