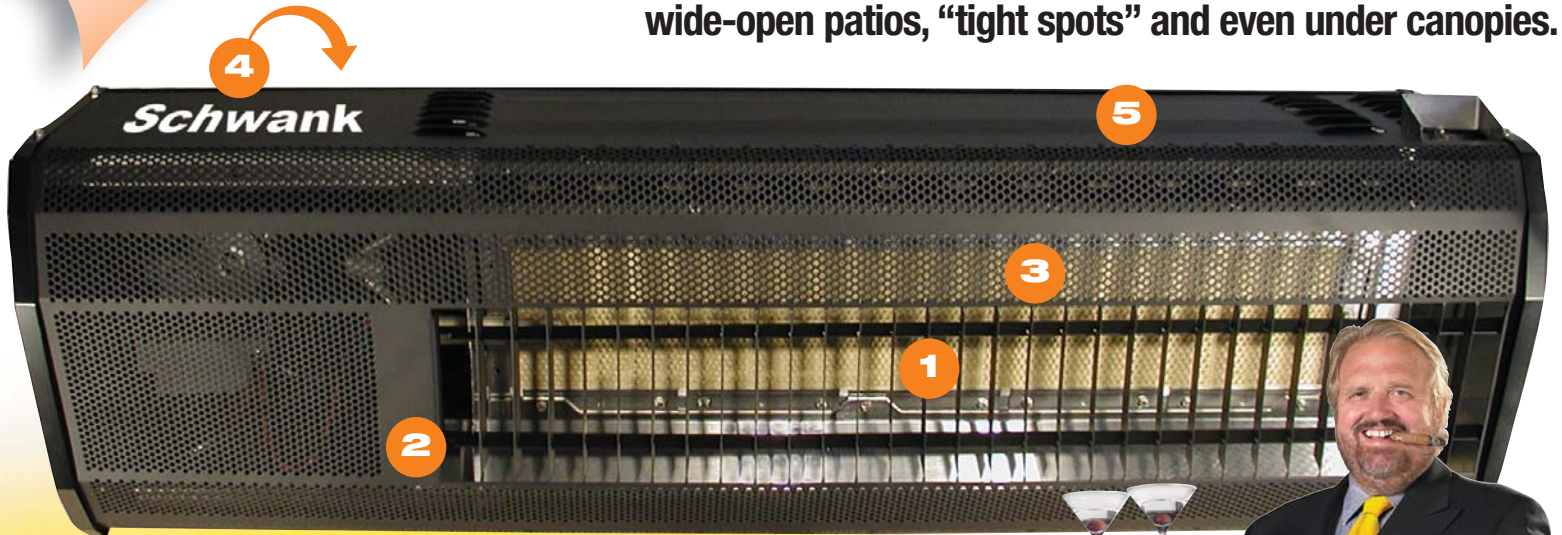


# Schwank

INNOVATIVE HEATING SOLUTIONS

## May we take your order?

With Schwank, you choose from the industry's premier selection of heaters for wide-open patios, "tight spots" and even under canopies.



The new patioSchwank 2300 is the perfect overhead mounted solution for outdoor spaces where radiant heat needs to be directed at specific areas and floor space is at a premium. Discreet, efficient and comfort-driven, a patioSchwank 2300 will heat up your profits as customers stay longer in the evening and later in the season.

Just compare patioSchwank 2300 series features:

- 1) Three Firing Rates:** 23,000, 35,000 and 50,000 BTUs in natural gas or propane - all based on our leading-edge burner technology
- 2) Insulated Cabinet:** traps convection heat to create additional infrared heat - improved comfort and lower fuel costs
- 3) Stainless Steel Enclosure Lens:** provides durability, long life and the ability to withstand higher temperature output; black emissive coating maintains appearance and improves comfort and fuel savings.
- 4) Balanced Suspension Points:** coupled with multiple suspension hardware options facilitates quicker, lower cost installations
- 5) Weather Resistant Housing:** provides durability and maintains the heater's aesthetic appeal on your patio

Schwank invented the infra-red heater and we remain the world leader over 50 years later. So choose one of our patio heaters and throw away the express menu. Your customers are staying for last call.

*Bernd Schwank, Chairman  
Schwank International  
Group of Companies*

SP-P230-BX-02A



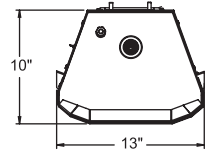
patioSchwank  
SERIES 2300

# 2300 Series Specifications

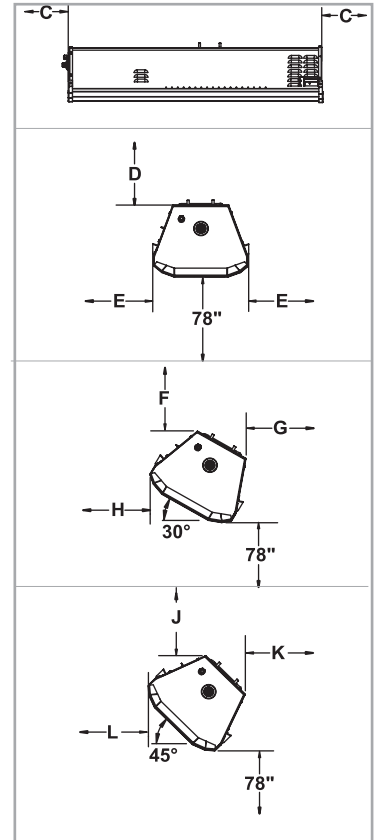
## DIMENSIONS AND CONFIGURATIONS

MODEL	VOLTAGE VAC	CURRENT AMPS	Btu/hr INPUT	TOTAL WEIGHT (lbs.)	HEATER LENGTH
2312-N/L	24	40 VA*	23,000	32	30 1/2"
2313-N/L			35,000	44	43 1/2"
2315-N/L			50,000	48	43 1/2"

\*For a multiple installations: size transforms at 40 VA for the first heater plus 20 VA for each additional heater



## CLEARANCES



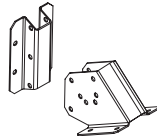
## CLEARANCES TO COMBUSTIBLES

MODEL	ENDS	HORIZONTAL			30° ANGLE			45° ANGLE		
		C	D	E	F	G	H	J	K	L
2312 N/L	OUTDOOR	3"	5.5"	7"	9.5"	1"	9.5"	12.5"	1"	11.5"
2312 N/L	INDOOR	4"	8"	10"	12.5"	2.5"	14"	16"	2"	15.5"
2313 N/L	OUTDOOR	5"	7.5"	9"	9.5"	1.5"	21"	10.5"	1.5"	23"
2313 N/L	INDOOR	6"	10.5"	14.5"	14.5"	2.5"	26"	17"	2.5"	28"
2315 N/L	OUTDOOR	16"	8"	13.5"	10"	2"	21"	12.5"	2"	24.5"
2315 N/L	INDOOR	17"	11"	19"	16.5"	3"	28.5"	18.5"	4"	30"

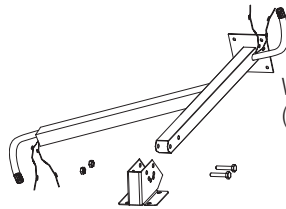
Schwank recommends that for most applications the mounting angle should not exceed 30°

Each 2300 Series Heater is supplied with a hanging bracket for overhead suspension

### Optional Mounting Accessories



Wall Mounting Bracket (30° Mounting Angle) JP-2300-MB



Wall Mounting Arm Kit (Prepiped & prewired) JP-2300-MK

## SUGGESTED MOUNTING FOR COMFORT\*\*\*

MOUNTING PARAMETERS	MODEL 2312		MODEL 2313		MODEL 2315	
	HORIZONTAL	30°	HORIZONTAL	30°	HORIZONTAL	30°
Minimum mounting height to patio floor	6' 6"	6' 6"	7' 0"	7' 0"	8' 0"	8' 0"
Side distance to patio edge	3' 6"	3' 6"	4' 0"	4' 0"	5' 0"	5' 0"
Side distance between heaters	6' 0"	6' 0"	8' 0"	8' 0"	10' 0"	10' 0"

\*\*\*Note: These mounting distances are suggested, and are subject to on site conditions. If in doubt, please contact your Schwank distributor.

### Schwank

invented the infra-red heater and we remain the world leader over 50 years later.

### patioSchwank SERIES 1100



High Efficiency  
Perimeter Mount  
Luminous Heaters

### patioSchwank SERIES 2300



Mini Luminous for "tight" spots

### patioSchwank SERIES 4000



Portable or post mount.

### patioSchwank SERIES 3000



Tube Type Heaters Under Roof/Canopy

**Schwank**  
INNOVATIVE HEATING SOLUTIONS  
ISO 9001:2000 REGISTERED



Canada  
5285 Bradco Blvd.  
Mississauga, On. L4W 2A6  
Telephone: 905-712-4766  
Fax: 905-712-8336  
www.schwankheaters.com

U.S.A.  
2 Schwank Way,  
Waynesboro, GA 30830  
Telephone: 706-554-6191  
Fax: 706-554-9390  
info@schwankheaters.com