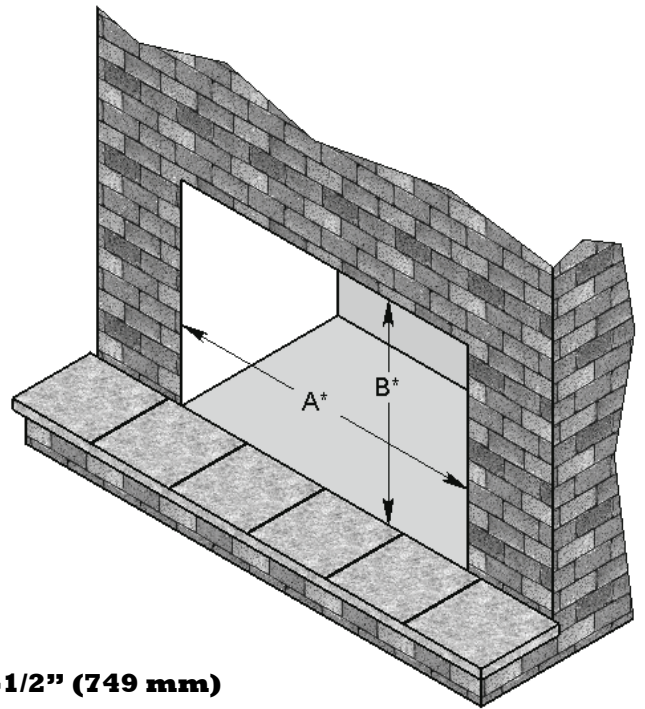
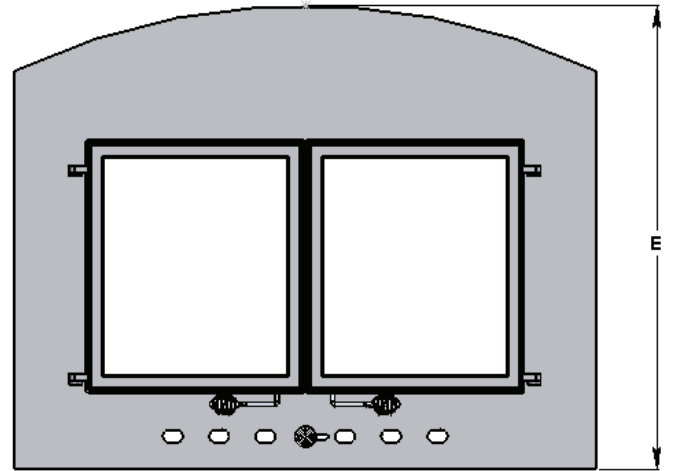
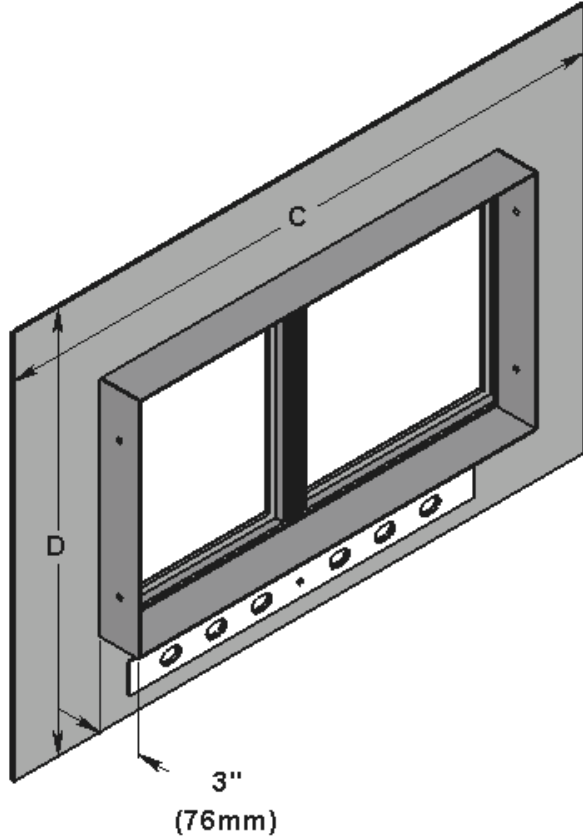


DATE: _____

CUSTOMER: _____



638BK _____ (WITHOUT VENTS)
638BKV _____ (WITH VENTS)

ALL DIMENSIONS REQUIRED

*	A	_____	MINIMUM DIMENSION 29-1/2" (749 mm)
*	B	_____	MINIMUM DIMENSION 19-1/2" (495 mm)
	C	_____	MINIMUM DIMENSION 34-1/4" (870 mm)
	D	_____	MINIMUM DIMENSION 22-1/2" (572 mm)
	E	_____	

*NOTE: Dimensions A and B are the measurements of the existing masonry fireplace. Measure at the narrowest point to ensure proper fit.