

**KOZY HEAT**
FIREPLACES

Woodland
Pellet Stove

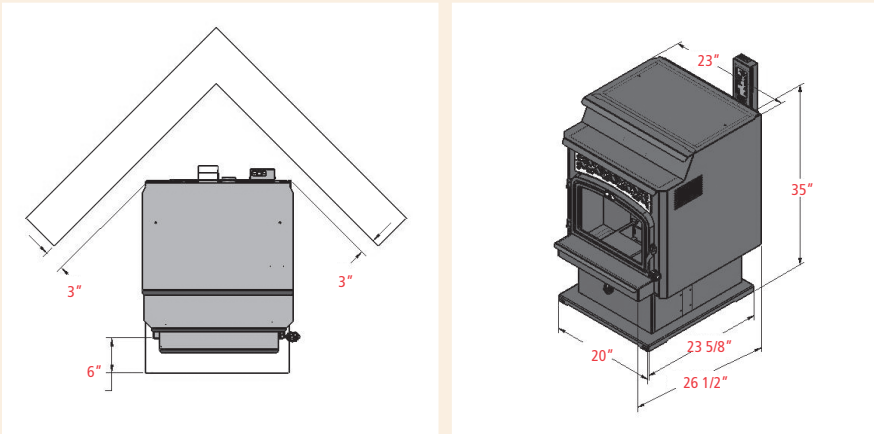
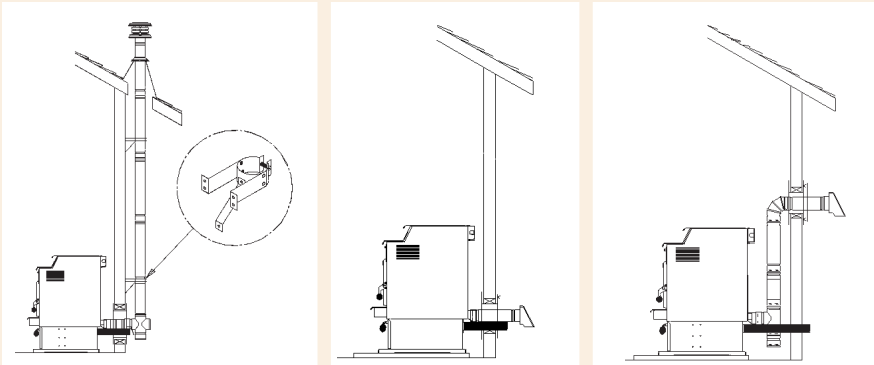


Warmth, coziness, style and quality. . .

From our family to yours.

Woodland Pellet Stove

Quality Fireplaces for Life

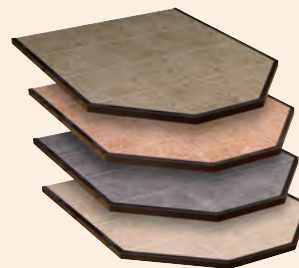


Specifications/Features:

- BTU/Hr range: 13,500 - 42,000
 - Electronic ignition
 - Digital control board with diagnostics
 - Grill cover (black)
 - Convection fan: 150 CFM
 - Exhaust collar: 3"
 - Combustion air collar: 2"
- Height: 35"
 - Width: 23"
 - Depth: 26 1/2"
 - Base width: 20"
 - Base depth: 23 5/8"
 - Weight: 248 lbs.

Options:

- Wall thimble (with outside air pass-thru)
- Hearth pads
 - Wall hearth pad – 36" W x 36" D
 - Wall hearth pad – 36" W x 48" D
 - Corner hearth pad – 36" W x 54" D
- Hearth tile kits - (4) colors
warm green, rust, blue/gray & beige
- Wall mount thermostat
- Stainless steel grill cover
- Stainless steel door trim



Wall mount thermostat

Available colors: warm green, rust, blue/gray and beige

Safety:

- Tested and certified by OMNI-Test Laboratories, to comply with ASTM E1509-04, 'Tested & Certified Room Heater, Pellet Fuel-Burning Type'
- Type 'PL' or 'L' vent systems must be used
- Tested and approved with Simpson Dura-Vent & Selkirk Metalbestos 4" x 6 5/8" Direct-Temp system for pellet stoves - decorative option
- Mobile home approved

Tested for use with wood pellets (only)



For complete information and installation instructions, contact your Kozy Heat Dealer at:

Manufactured by Hussong Mfg. Co. Inc.
204 Industrial Park Drive, Lakefield, MN 56150
Phone 1-800-253-4904 www.kozyheat.com

In order to continually provide the highest quality product available, specifications and dimensions are subject to change. Refer to the unit installation manual for complete installation instructions. Installation must conform with local building codes.