



Nicollet



*Shown w/brushed stainless framelface
& firebox lining - Cobalt Blue liquid glass*

Contemporary style and quality. . .
From our family to yours.

Designer Options & Accessories

Contemporary Frame/Face Finishes

Black



Cobalt Blue liquid glass



H2O liquid glass



White Frost liquid glass

Rust



Cobalt Blue liquid glass



H2O liquid glass



White Frost liquid glass

Titanium



Cobalt Blue liquid glass



H2O liquid glass



White Frost liquid glass

Brushed Stainless



Cobalt Blue liquid glass



H2O liquid glass



White Frost liquid glass

Lighting Features



Lights and flame



Flame on, lights off



Lights on, flame off



Flame, lights & fan controlled by the full function remote



Cobalt Blue liquid glass

H2O liquid glass

White Frost liquid glass

The above three images shown w/optional brushed stainless firebox lining



*Shown w/rust frame face -
H2O liquid glass*



*Shown w/black frame face -
H2O liquid glass*



*Shown w/titanium frame face -
White Frost liquid glass*

The Nicollet comes standard with an electronic ignition pilot system. The included thermostatic remote control will adjust the flame, fan speed & back lighting - fan kit is an optional accessory.

Standard Features

- 12,500 BTU/hr input - NG & 12,500 BTU/hr input - LP
- High efficiency: NG - 66.27% LP Gas - 62.15%
- Canada P-4 approved
- Electronic ignition pilot system - standing pilot option as well
- High quality lifetime glass (21" X 14") quick-latch removal
- Remote control - (flame, light & fan adjustment)
- 2-receptacle assembly for wiring
- Firebox lining (black)
- Engineer-designed burner system
- Minnesota Energy Code Compliant to 50 pascals

Required for Installation*

- Contemporary frame/face* (black, rust, titanium & brushed stainless)
 - Decorative burner media - (Cobalt Blue, H2O & White Frost)
- *Door faces offered for the model 'Two Harbors' can also be used

Optional Features

- Automatic fan kit (1) -75 CFM
- Firebox lining - brushed stainless

Safety

- Each unit factory tested!
- Tested by PFS Corp.
Complies with ANSI-Z21.88a -2009•CSA 2.33-2009 P.4.1-09 'Vented Gas Fireplace Heaters'
- U.S. & Canadian installation approved
- Sealed combustion chamber
- Removable control board with safety pilot
- Automatic pressure relief glass system
- Bedroom & mobile home approved

Specifications

- Height: 31 1/2" • Width: 18 1/2" • Depth: 14 3/8"
- Back Width: 5 1/4" • Weight: 76 lbs.

Framing Dimensions

- Height: 32 5/8" • Width: 19 3/4" • Depth: 14 7/8"

Clearances

- From fireplace face top to framing.....1"
- From fireplace left & right sides & back1/2"
- From decorative face top (in order to remove face)1/4"
- Fireplace bottom to flooring0"
- Fireplace base to ceiling52"
- Fireplace side stand-offs to an adjacent sidewall.....0"
- Top of fireplace to 3/4" projection*.....2 1/4"

*Mantel must be a minimum of 7 1/2" from top of fireplace face. The maximum depth at this height is 12". See additional mantel clearance configurations in the installation manual.

Venting Systems & Requirements

This fireplace is approved for the following vent systems:

- Simpson Dura-Vent™ DV-GS Pipe - 5" x 8"
- Selkirk Metalbestos™ - 5" x 8"
- Ameri-Vent™ - 5" x 8"
- Metal Fab™ - 5" x 8"
- ICC™ - 5" x 8"
- Security™ - 5" x 8"
- RLH™ - 5" x 8"

Elbows: For each additional elbow used after the first 2 elbows, 3 ft. must be subtracted from the maximum venting allowed.

Note: (2) 45° elbows =(1) 90° elbow.

Horizontal Terminations

Minimum: 90° elbow + termination cap **Maximum:** 20 ft.

A horizontal vent heat shield, that is included with the fireplace, must be installed when using a 90° elbow directly off top of fireplace.

IMPORTANT: Kozy Heat part #800-WPT or #800-WPT2, must be used on ALL horizontal vent runs.

#800-WPT (4 1/2" - 6 1/2" wall thickness)

#800-WPT2 = 6 1/2" - 12 1/2" wall thickness

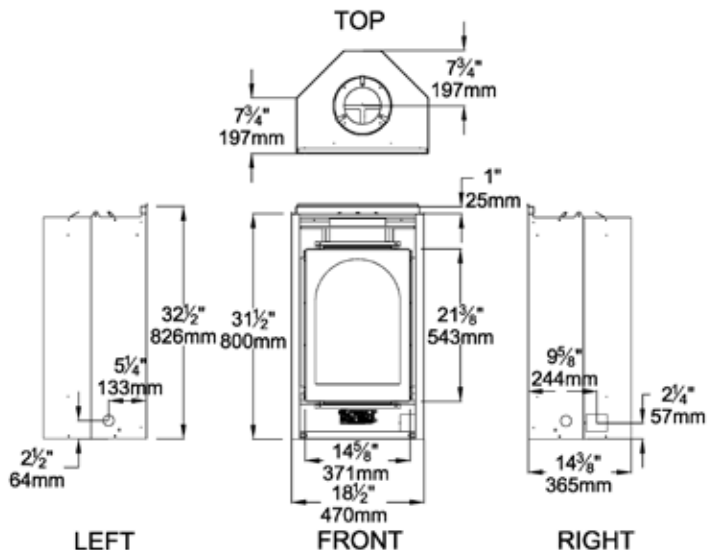
Vertical Terminations

Minimum: 3 ft. Maximum: 36 ft.

Horizontal / Vertical COMBO:

20 ft. horizontal / 20 ft. vertical*

*Please consult the venting chart in the installation manual.



NOTE: Refer to the Nicollet installation manual for complete installation & venting requirements



For complete information and installation instructions, contact your Kozy Heat Dealer at:

Manufactured by Hussong Mfg. Co. Inc.
204 Industrial Park Drive, Lakefield, MN 56150
Phone 1-800-253-4904 www.kozyheat.com

In order to continually provide the highest quality product available, specifications and dimensions are subject to change. Refer to the unit installation manual for complete installation instructions. Installation must conform with local building codes.