

# Classic Series

DIRECT VENT GAS FIREPLACES  
DASSEL • PRINCETON  
THIEF RIVER FALLS  
MINNETONKA • TRIMONT



*Dassel w/Mission  
design full door face*

|  |   |                                    |    |
|--|---|------------------------------------|----|
| Dassel Specifications .....            | 2 | Minnetonka Specifications .....    | 8  |
| Princeton Specifications .....         | 4 | Trimont Specifications .....       | 10 |
| Thief River Falls Specifications ..... | 6 | Fireplace Options & Accessories .. | 12 |



# Dassel Slim Profile Direct Vent Specifications

Dassel w/Rectangular Prairie pattern full door face - Aspen flush surround - Absolute Black Granite



| Model | Fuel Option | High   | Low    | Efficiency |
|-------|-------------|--------|--------|------------|
| DSL36 | NG          | 26,000 | 13,000 | 80%        |
|       | LP          | 24,000 | 12,000 | 81%        |

Steady state efficiency at high burn

## Features:

- Canada P-4 approved
- High quality, quick-latch, lifetime warranty glass (23 3/4" x 30 1/6")
- High-low regulator
- Speed control with receptacle assembly
- Patented log design
- Model DSL-36-IPI only (electronic ignition) - remote modulating valve system w/flame, fan adjustment & fan kit
- Upper grill/hood & lower grill (black)
- Engineer-designed burner system
- Minnesota Energy Code compliant to 50 pascals

## Safety

- **Each unit factory tested!**
- Tested by OMNI-Test Laboratories Complies with ANSI-Z21.88a -2007•CSA 2.33a-2007 'vented gas fireplace heaters'
- U.S. & Canadian installation approved
- Sealed combustion chamber with standing pilot ignition
- Removable millivolt board with 30-second safety pilot
- Automatic pressure relief glass system
- Bedroom & mobile home approved

## Venting Requirements

This stove is manufactured standard to accept 5" x 8" pipe. Dura-Vent's 4"x 6 5/8" Decreaser can be used on this stove, but only with Dura-Vent pipe.

- Simpson Dura-Vent™ DV-GS pipe - 5" x 8" & 4" x 6 5/8"
- Selkirk Metalbestos™ direct chimney system - 5" x 8" ONLY
- Ameri-Vent™ direct chimney system - 5" x 8" ONLY
- Metal Fab™ - 5" x 8" ONLY
- ICC™ - 5" x 8" ONLY
- Security™ - 5" x 8" ONLY
- Kozy Heat flexible #800 series vent kits\* - 5" x 8" ONLY

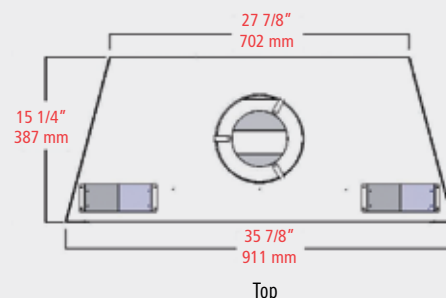
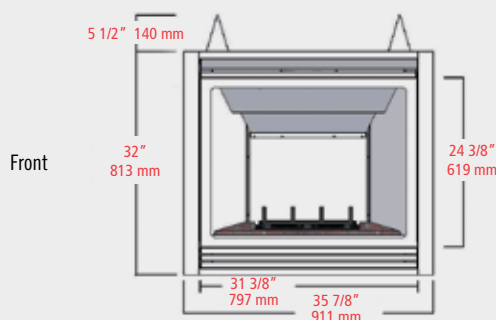
Please consult the installation manual for a list of approved caps.

**IMPORTANT:** Kozy Heat Part #800-WPT or #800-WPT2, must be used on horizontal vent runs using 5" x 8" pipe.

| Specifications |          |
|----------------|----------|
| Height         | 32"      |
| Width          | 35 7/8"  |
| Back width     | 27 7/8"  |
| Depth          | 15 1/4"  |
| Weight         | 150 lbs. |

| Framing Dimensions |         |
|--------------------|---------|
| Height             | 42"     |
| Width              | 36 3/8" |
| Depth              | 15 3/4" |

| Clearances  |         |
|---|---------|
| Fireplace front edges to framing                            | 1/4"    |
| Fireplace top to framing                                    | 10"     |
| Fireplace back & back corners                               | 1/4"    |
| Fireplace bottom to flooring                                | 0"      |
| Fireplace top to ceiling                                    | 31"     |
| Fireplace face to adjacent sidewall                         | 3"      |
| Fireplace front   | 36"     |
| Mantel 4" deep from top of fireplace                        | 14 1/2" |
| Refer to the mantel requirements in the installation manual |         |





*Dassel w/full screen face*

## The Dassel...

is the perfect fit for smaller sized rooms or when installation space is a concern. At 15-1/4" deep the *Dassel* can be installed easily, but still offers efficiency, heat, and a great looking fire. Give your room a customized design with numerous door or screen options.

# Princeton Specifications



*Princeton w/Arched Prairie pattern full door face - Craftsman wall cabinet*

| Model | Fuel Option | High   | Low    | Efficiency |
|-------|-------------|--------|--------|------------|
| PRC36 | NG          | 35,000 | 22,500 | 80%        |
|       | LP          | 34,800 | 25,500 | 81%        |

Steady state efficiency at high burn

## Features:

- Canada P-4 approved
- High quality lifetime warranty glass (23 3/4" x 30 1/16")
- Quick-latch glass/Pressure release system
- Accepts rigid DV vent systems or Kozy Heat #800 series flexible termination kits
- Engineer-designed burner system w/external adjustable venturi
- Model PRC-36-IP1 only (electronic ignition) - remote modulating valve system w/flame, fan adjustment & fan kit
- Patented log design
- Brick refractory
- Heat damper control
- Upper grill/hood & lower grill (black)
- Minnesota Energy Code compliant to 50 pascals

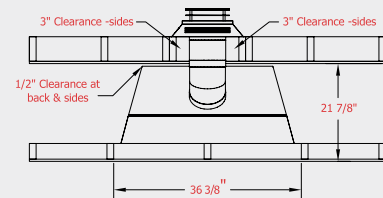
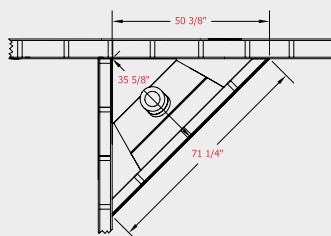
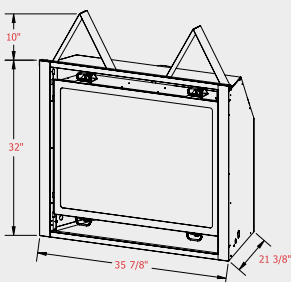
| Specifications |          |
|----------------|----------|
| Height         | 32"      |
| Width          | 35 7/8"  |
| Back width     | 24 5/8"  |
| Depth          | 21 3/8"  |
| Weight         | 160 lbs. |

## Safety

- **Each unit factory tested!**
- Tested by OMNI-Test Laboratories  
Complies with ANSI Z21.88a-2007 • CSA 2.33a-2007 'Vented Gas Fireplace Heaters'
- Sealed combustion chamber with standing pilot ignition
- Removable millivolt board with 30-second safety pilot
- Automatic pressure relief glass system
- Bedroom and mobile home approved

| Framing Dimensions |                           |
|--------------------|---------------------------|
| Height             | 42"                       |
| Width              | 36 3/8"                   |
| Depth              | 21 7/8" horz. termination |
|                    | 23 7/8" vert. termination |

| Clearances  |      |
|---|------|
| Top of unit face to framing                                     | 10"  |
| From unit left & right sides & back                             | 1/2" |
| Surround sides (flush)  | 1/4" |
| To flooring   | 0"   |
| Unit top to ceiling   | 31"  |
| Unit's side to adjacent sidewall                                | 10"  |
| Fireplace front   | 36"  |
| Mantel 10" deep from top of unit                                | 15"  |
| Refer to the mantel projection chart in the installation manual |      |





*Princeton w/Drake pattern  
full door face*

## The Princeton...

offers the unique feature of a 21-3/8" deep firebox in a 36" fireplace. The deep box and realistic logs and flames make the *Princeton* the perfect fireplace for heating up your home on a cold night, and proves that good things come in small packages. Customize your fireplace with a wide variety of doors and fronts.

# Thief River Falls Top/Rear Vent Gas Specifications



Thief River Falls w/Arched Drake pattern full door face - Keystone wall cabinet

| Model | Fuel Option | High   | Low    | Efficiency |
|-------|-------------|--------|--------|------------|
| 56701 | NG          | 28,000 | 20,000 | 71.9%      |
|       | LP          | 28,000 | 21,000 | 74%        |

Steady state efficiency at high burn

## Features:

- Canada P-4 approved
- High quality lifetime warranty glass (35" x 26")
- Quick-latch glass
- Accepts rigid pipe; rear vent ready
- Model TRF-IP1 only (electric ignition), remote modulating valve system w/flame, fan adjustment & fan kit
- Upper grill/hood and lower grill (black)
- High-low regulator
- Patented log design
- Minnesota Energy Code compliant to 50 pascals

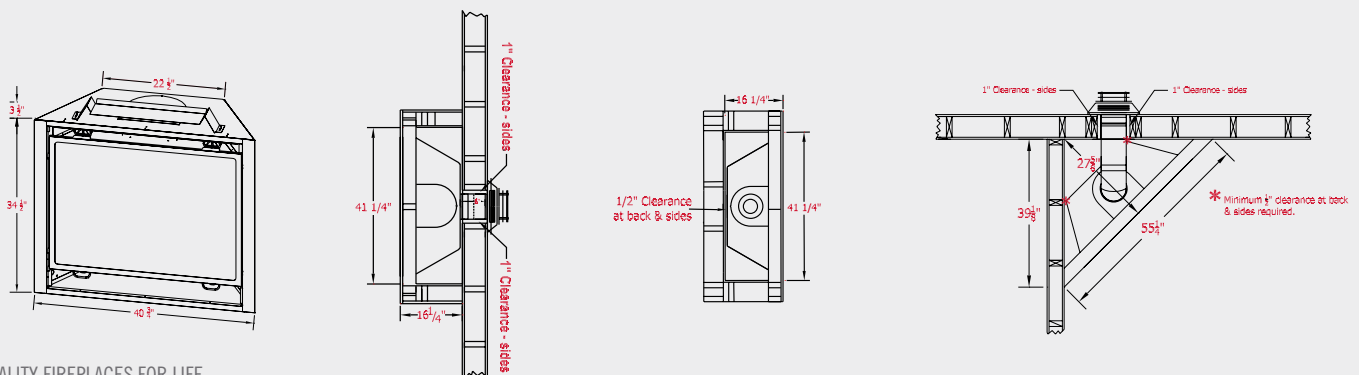
| Specifications |          |
|----------------|----------|
| Height         | 34 1/2"  |
| Width          | 40 3/4"  |
| Back width     | 22 1/2"  |
| Depth          | 15 3/4"  |
| Weight         | 180 lbs. |

| Framing Dimensions |                       |
|--------------------|-----------------------|
| Height             | 38 1/4"               |
| Width              | 41 1/4"               |
| Depth              | 16 1/4"               |
| Platform           | 40 3/4" W x 15 3/4" D |

| Clearances  |        |
|---|--------|
| Top of unit face to framing                                     | 3 1/2" |
| From unit left & right sides & back                             | 1/2"   |
| Surround sides (flush)  | 0"     |
| To flooring   | 0"     |
| Unit top to ceiling   | 31"    |
| Unit side to adjacent sidewall                                  | 0"     |
| Mantel 8" deep from top of fireplace                            | 8"     |
| Mantel 12" deep from top of unit                                | 12"    |
| Refer to the mantel projection chart in the installation manual |        |

## Safety

- **Each unit factory tested!**
- Tested by OMNI-Test Laboratories  
Complies with ANSI Z21.88a-2007 • CSA 2.33a-2007 'Vented gas fireplace heaters'
- Sealed combustion chamber with standing pilot ignition
- Removable millivolt board with 30-second delay pilot
- Automatic pressure relief glass system
- Bedroom and mobile home approved





*Thief River Falls w/Mission  
design doors*

## The Thief River Falls...

The *TRF* offers value, heat, and a slim-profile that is the best in its class. The *TRF* has the ability to be vented off the top or back allowing it to be installed in almost any situation. The large viewing area and realistic logs and burner make the *TRF* a perfect fireplace when space is a concern. Numerous door and face options allow the *TRF* to be customized for your décor.

# Minnetonka Specifications



Minnetonka w/full screen face  
- Meridian wall cabinet

| Model | Fuel Option | High   | Low    | Efficiency |
|-------|-------------|--------|--------|------------|
| 55345 | NG          | 40,000 | 21,500 | 80%        |
|       | LP          | 40,000 | 21,500 | 81%        |

Steady state efficiency at high burn

## Features:

- Canada P-4 approved
- High quality lifetime warranty glass (35" x 26")
- Quick-latch glass
- Accepts rigid pipe or Kozy Heat flexible vent system, no adaptor necessary
- High-low regulator
- Patented log design
- Brick refractory
- Heat damper control
- Upper grill/hood & lower grill (black)
- Model 55345 - IPI only (electronic ignition) - remote modulating valve system w/flame, fan adjustment & fan kit
- Minnesota Energy Code compliant to 50 pascals

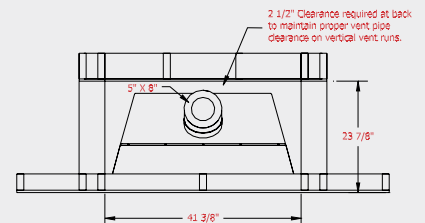
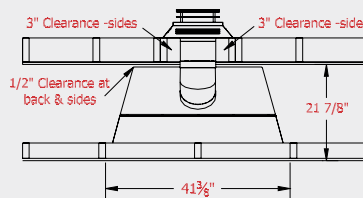
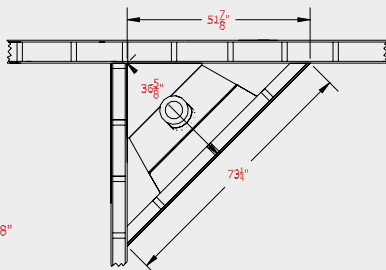
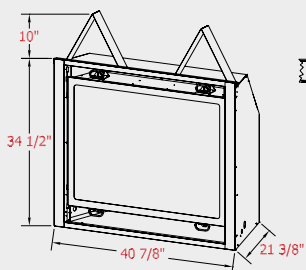
| Specifications |          |
|----------------|----------|
| Height         | 34 1/2"  |
| Width          | 40 7/8"  |
| Back width     | 29 1/4"  |
| Depth          | 21 3/8"  |
| Weight         | 195 lbs. |

| Framing Dimensions |  |
|--------------------|--|
| Height             | 44 1/2"  |
| Width              | 41 3/8"  |
| Depth              | 21 7/8" horz. terminations<br>23 7/8" vert. terminations |
| Platform           | 40 7/8" W x 21 3/8" D                                    |

| Clearances  |      |
|---|------|
| Top of unit face to framing                                     | 10"  |
| From unit left & right sides & back                             | 1/2" |
| Surround sides (flush)  | 1/4" |
| To flooring   | 0"   |
| Fireplace top to ceiling  | 31"  |
| Unit's side to adjacent sidewall                                | 12"  |
| Mantel 10" deep from top of fireplace                           | 15"  |
| Refer to the mantel projection chart in the installation manual |      |

## Safety

- Each unit factory tested!
- Tested by OMNI-Test Laboratories
- Complies with ANSI Z21.88b-2008 • CSA 2.33b-2008 'Vented gas fireplace heaters'
- Sealed combustion chamber with standing pilot ignition
- Removable millivolt board with 30-second delay pilot
- Automatic pressure relief glass system
- Bedroom and mobile home approved





*Minnetonka w/True Arch  
Mission full door face  
(Titanium finish)*

## The Minnetonka...

fireplace is known throughout the hearth industry for arguably the most realistic flame and log technology available. Not only does the *Minnetonka* offer ambiance and design to your room but the technology, decorative fronts, doors, and finishes offer unsurpassed value in the market. The *Minnetonka* is sure to be the focal point of your home.

# Trimont See-Thru Direct Vent Specifications



Trimont w/Mission design full door face

| Model   | Fuel Option | High   | Low    | Efficiency |
|---------|-------------|--------|--------|------------|
| TMT3875 | NG          | 47,000 | 23,500 | 72%        |
|         | LP          | 46,000 | 26,500 | 77%        |

Steady state efficiency at high burn

## Features:

- Canada P-4 Approved
- Model TMT-3875 IPI only (electronic ignition) - remote modulating valve system with flame, fan adjustment & fan kit
- High quality, quick-latch, lifetime borofloat® glass (2) 34 3/4" x 26"
- High-low regulator - model TMT-3875 only
- Speed control with receptacle assembly - model TMT-3875 only
- Patented log design
- Brick refractory (ends & bottom)
- Seasonal heat damper
- Minnesota energy code compliant to 50 pascals
- **This model can be converted to a 3-sided pier with the installation of an optional pier conversion kit**

## Safety

- Each unit factory tested!
- Tested by OMNI-Test Laboratories complies with ANSI Z21.88a-2007 • CSA 2.33a-2007 'Vented Gas Fireplace Heaters'
- T.U.S. & Canadian Installation Approved
- Sealed combustion chamber with standing pilot ignition
- Removable millivolt board with 30-second safety pilot
- Automatic pressure relief glass system
- Bedroom & mobile home approved

## Venting Requirements

Rigid 5" x 8" Dura-Vent®, AmeriVent®, Selkirk Metalbestos®, Metal-Fab and the Kozy Heat #800 series flexible vent systems are approved for this fireplace

**IMPORTANT:** Kozy Heat part #800-WPT, must be used on All horizontal vent runs

### Horizontal Terminations:

- Minimum: NG - 90° elbow + 6" + termination cap  
LP - 6" + 90° elbow + 6" + termination cap
- Maximum: NG - 90° elbow + max. 10' run  
LP - 6" + 90° elbow + max. 10' run

### Vertical Terminations:

- Minimum: 4' = AmeriVent®, Selkirk Metalbestos® and Metal-Fab
- Minimum: 8' = Dura-Vent®
- Maximum: 35'

**Note: A restrictor is required for all vertical venting applications**

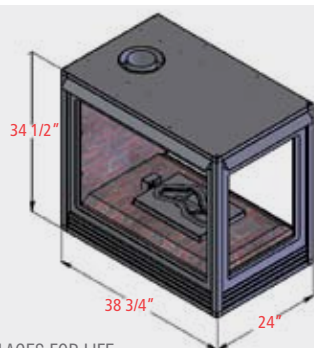
**Horizontal & vertical combo:** 30' = 10' max. horizontal  
20' max. vertical

| Specifications |          |
|----------------|----------|
| Height         | 34 1/2"  |
| Width          | 38 3/4"  |
| Depth          | 24"      |
| Weight         | 220 lbs. |

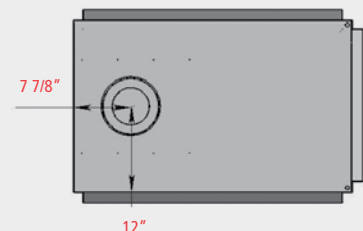
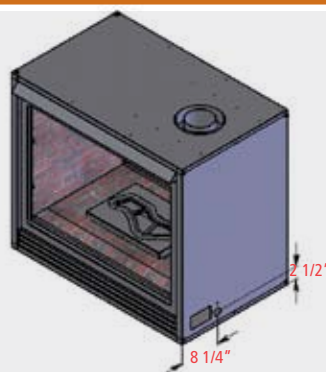
| Framing Dimensions         |          |         |
|----------------------------|----------|---------|
|                            | See-Thru | Pier    |
| Height                     | 46"      | 46"     |
| Width                      | 42 1/4"  | 40 1/2" |
| <b>Finished</b> Wall Depth | 24"      |         |

| Clearances  |         |
|---|---------|
| From face top   | 11 1/2" |
| From vented/non-vented ends                                 | 1 3/4"  |
| Side of fireplace to adjacent side wall                     | 1 3/4"  |
| Full door face sides (decorative option)                    | 1/4"    |
| To flooring   | 0"      |
| Unit floor to ceiling                                       | 68"     |
| Mantel 12" deep from top of unit*                           | 12"     |
| Refer to the mantel requirements in the installation manual |         |

Pier model



See-Thru





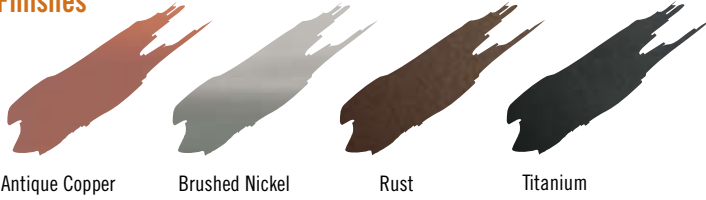
*Trimont w/Mission design doors & pier end*

## The Trimont...

Whether you are joining a bedroom and a bathroom, or looking for the architectural element that a pier fireplace adds to any room – the *Trimont* offers all of this and more. The *Trimont* is a multi-sided fireplace that can be installed as a see-thru fireplace or in a three-sided pier application. Add decorative fronts or operable doors to one side or both – your choices are endless.

# Fireplace Options & Accessories

## Finishes



Antique Copper      Brushed Nickel      Rust      Titanium

| Optional Features   | DSL | PRC | TRF | MTK | TMT |
|---|-----|-----|-----|-----|-----|
| Flex vent adaptor kit   |     |     | X   |     |     |
| Per conversion kits (standard & Mission design)                         |     |     |     |     | X   |
| Backlight kit   |     | X   |     | X   |     |
| Full door faces/Mission doors (TMT See-Thru only)                       | X   | X   | X   | X   | X   |
| Full screen face  | X   | X   | X   | X   | X   |
| Automatic fan kit w/var. sp. Ctl. (Non-IPI Models 1-75 CFM)             | X   |     |     |     | X   |
| Automatic fan kit w/var. sp. Ctl. (Non-IPI Models 2-75 CFM)             |     | X   | X   | X   |     |
| Remote control/thermostat remote (Non-IPI Models)                       | X   | X   | X   | X   | X   |
| Wall mount thermostat/wireless wall mount (Non-IPI Models)              | X   | X   | X   | X   | X   |
| Brick refractory  | X   |     | X   |     |     |
| Enamel panels   | X   |     | X   |     |     |
| Wall, corner cabinet & flush surround (Refer to the cabinetry brochure) | X   | X   | X   | X   |     |

## Full Door Faces/Doors



Drake pattern full door face



Arched Drake pattern full door face



Arched Prairie pattern full door face



'True Arch' Mission full door face



Mission design full door face



Rectangular Prairie pattern full door face



Full screen face



Mission design doors

## Controls



Wall mount thermostat      Wireless wall mount thermostat      Wireless wall switch      Remote control      IPI full function remote

## Refractories



Brick refractory      Brick refractory (standard in MTK & PRC only)      Black enamel panels

## Kozy Heat Product Line



Woodburning Fireplaces



Direct Vent Gas Fireplaces



Contemporary Gas Fireplaces



Gas Inserts



Gas Stoves



Handcrafted Cabinetry

Manufactured by Hussong Mfg. Co. Inc.  
204 Industrial Park Drive, Lakefield, MN 56150  
Phone 1-800-253-4904 www.kozyheat.com

