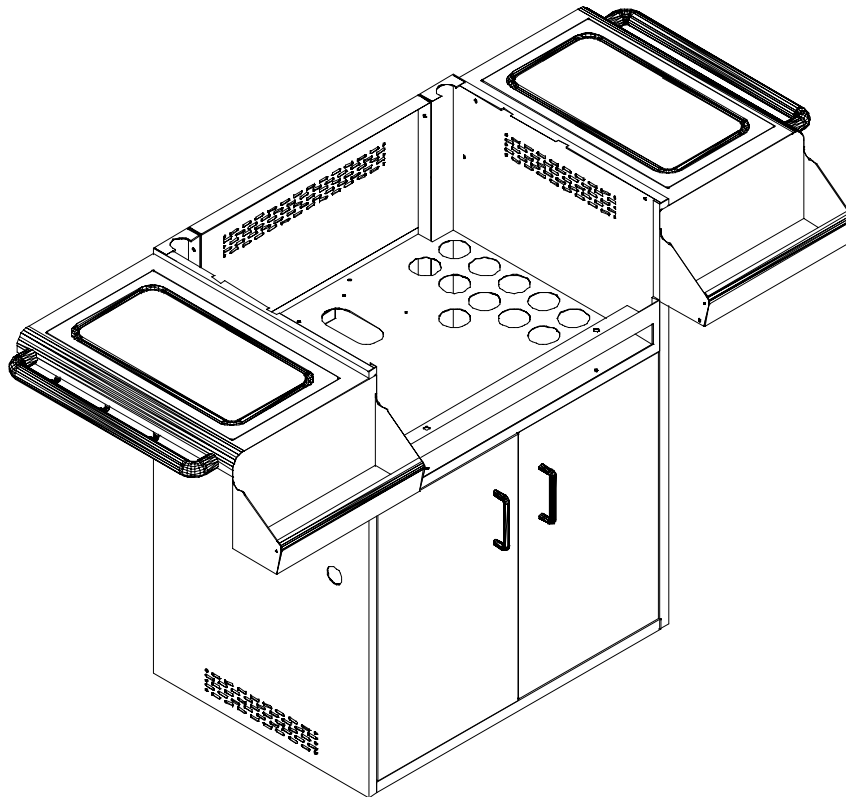




Jackson Grills Inc.
G2-4970 Polkey Road
Duncan, British Columbia, Canada
V9L-6W3

PEDESTAL ASSEMBLY INSTRUCTIONS



TOOLS REQUIRED

- # 2 Phillips Screwdriver
- 7/16" Wrench x 2 (7/16" Socket and Ratchet)
- 3/8" Wrench

COMPONENTS AND FASTENERS

- 2 - Side Shelves (Right / Left)
- 2 - Condiment Bins (Right / Left)
- 2 - Towel Bars
- 2 - Cutting Boards
- 2 - Swivel Castors
- 2 - Fixed Castors
- 4 - 3/8" Aluminum Spacers
- 2 - D Pull Handles.
- 1 - Hardware (Fastener) Bag.

NOTE:

PLEASE ENSURE ALL PLASTIC PVC PROTECTIVE COATINGS HAVE BEEN REMOVED FROM ALL SURFACES

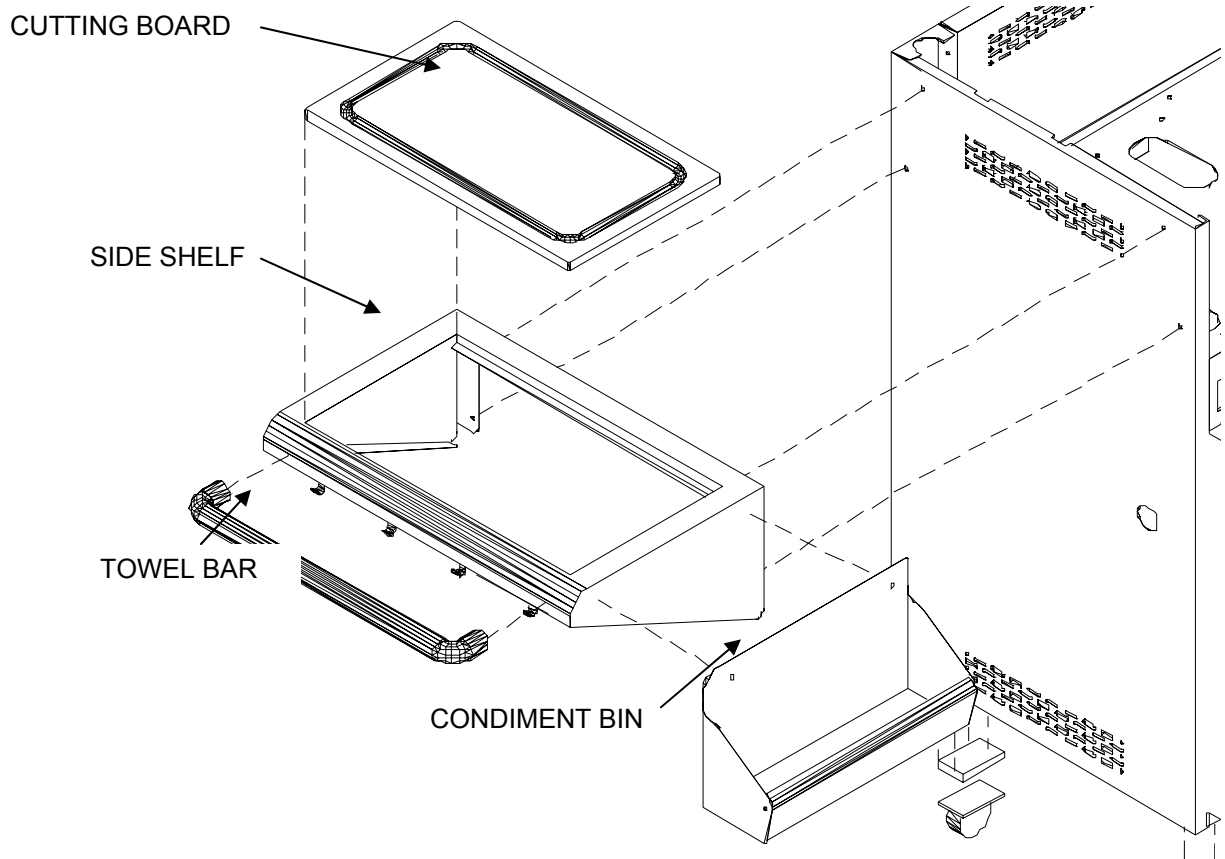
INSTRUCTIONS:

- 1 Place the pre assemble Pedestal on its back.
- 2 Open the doors fully to install the castors.
- 3 Attach 1 Fixed Castor in the back right hand corner of the pedestal base using the bolts, lock washer and nuts provided. (4 - 3/4 x 20 hex head bolt and nut).
- 4 Attach the remaining Fixed Castor in the front right hand corner of the pedestal base using the bolts, lock washers and nuts provided (3 - 3/4 x 20 x 7/16" hex head bolt and nut).
- 5 The front R/H and L/H castors have only **THREE** bolts each. The outside front castors DO NOT get a bolt. This is to allow for door clearance as the doors swing open and closed.
- 6 Attach the two Swivel Castors on the left hand side using the same methods used in steps 3 and 4.

SIDE SHELF INSTALLATION.

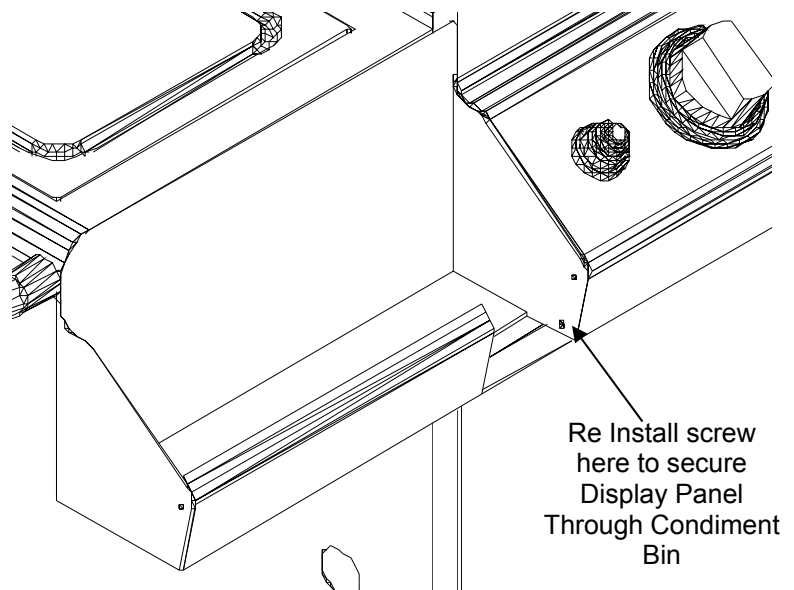
- 1 Install two 10-32 x 1/2" bolts, lock washers and nuts in the top two hole of each side of the pedestal. (Do Not tighten these bolts completely)
- 2 Place key holed slots on the top of the side shelves (right and left) on previously installed bolts.
- 3 Install the two bolts, lock washers and bolts in the two bottom holes on both right and left side shelves. Tighten all fasteners using a # 2 Phillips Screwdriver and a 3/8 Wrench.
- 4 Attach the Towel Bars to the outside edge of the side shelves using the fasteners provided. (2 - 1/4" x 20 x 3/4" Stainless Steel bolts, and lock washers).

Before installing the condiment bins (Right and Left) Place the Jackson Grill, Grill Head assembly into the



pedestal. Remove the two screws on the front of the Grill Head that fasten the Display Panel to the firebox sides.

- 1 Install the Condiment Bins (Right and Left) to the front of the side shelves using the fasteners provided. (2 – 10-32 x 1/2" Stainless Steel Bolts, lock washers and nuts) (Do Not tighten these Fasteners)
- 2 Re install the two fasteners previously removed from the Display Panel through the condiment bin into the Display Panel to pull condiment bin tight to the firebox side.
- 3 Align the condiment bins and tighten the previously install bolts to the front of the side shelves (Right and Left).



Place the Cutting Boards into the tops of the side shelves. (Install The Side Burner in The right hand side only if equipped).

Install the 2 D Pull handles in the front (Right and Left) doors using the fasteners provided. (2- 3/8" x # 8 Phillips screws). **Note:** These screws are not magnetic and will require careful installation to ensure they do not fall down inside the doors.

