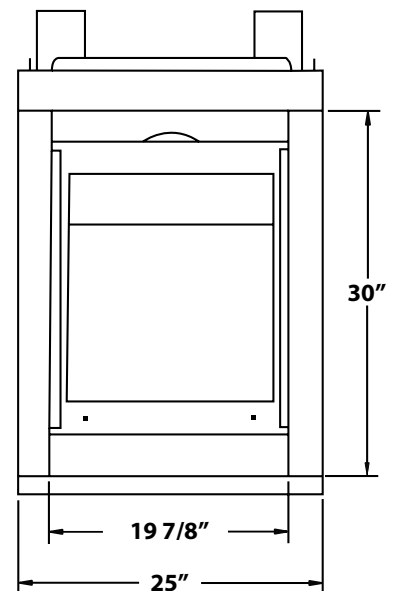
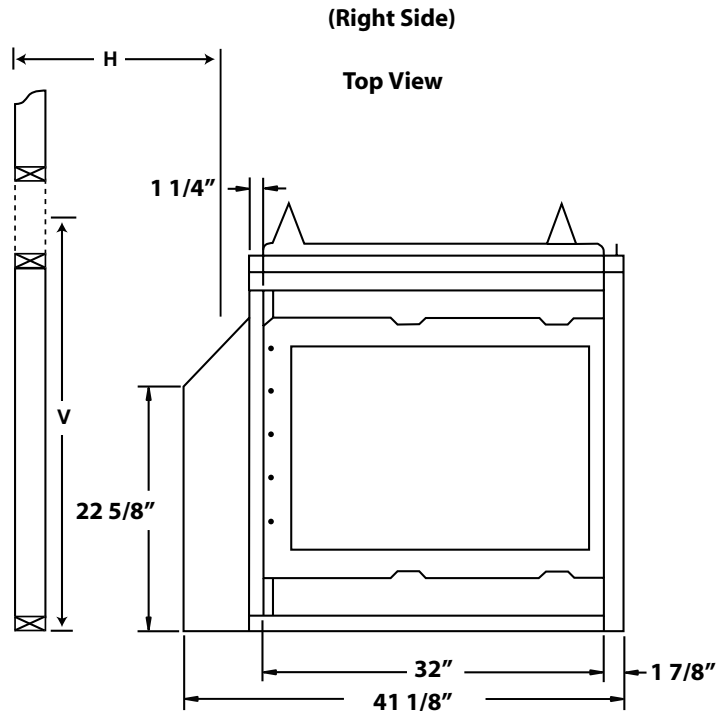
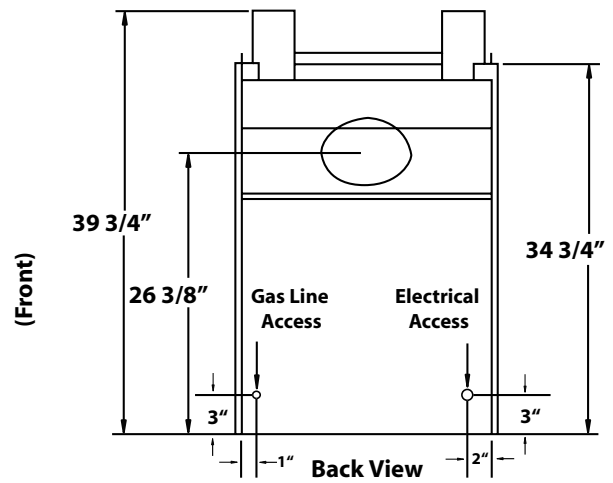
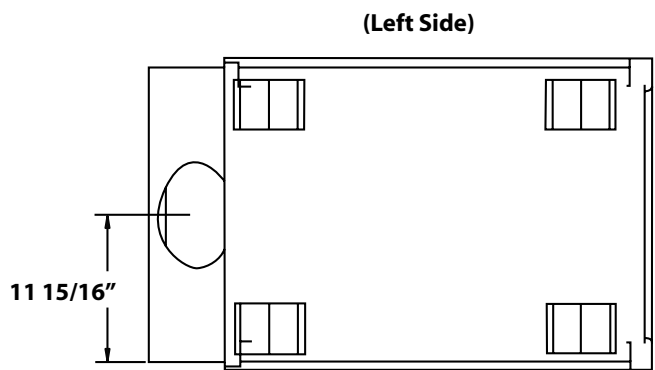


Sedona

36" Direct Vent corner Fireplace

Installations requiring a 45° and 90° Elbow			Typ. Ground Floor Installation (1 - 45° Elbow)		
Horiz. Run (H)	Min. Height (V)	Required Vert. Pipe	Horiz. Run (H)	Min. Height (V)	Required Horiz. Pipe
30" max.	47 1/4"	none	17" max.	36"	12" max.
48" max.	57 1/4"	12"			
60" max.	69 1/4"	24"			
84" max.	81 1/4"	36"			
144" max.	93 1/4"	48"			



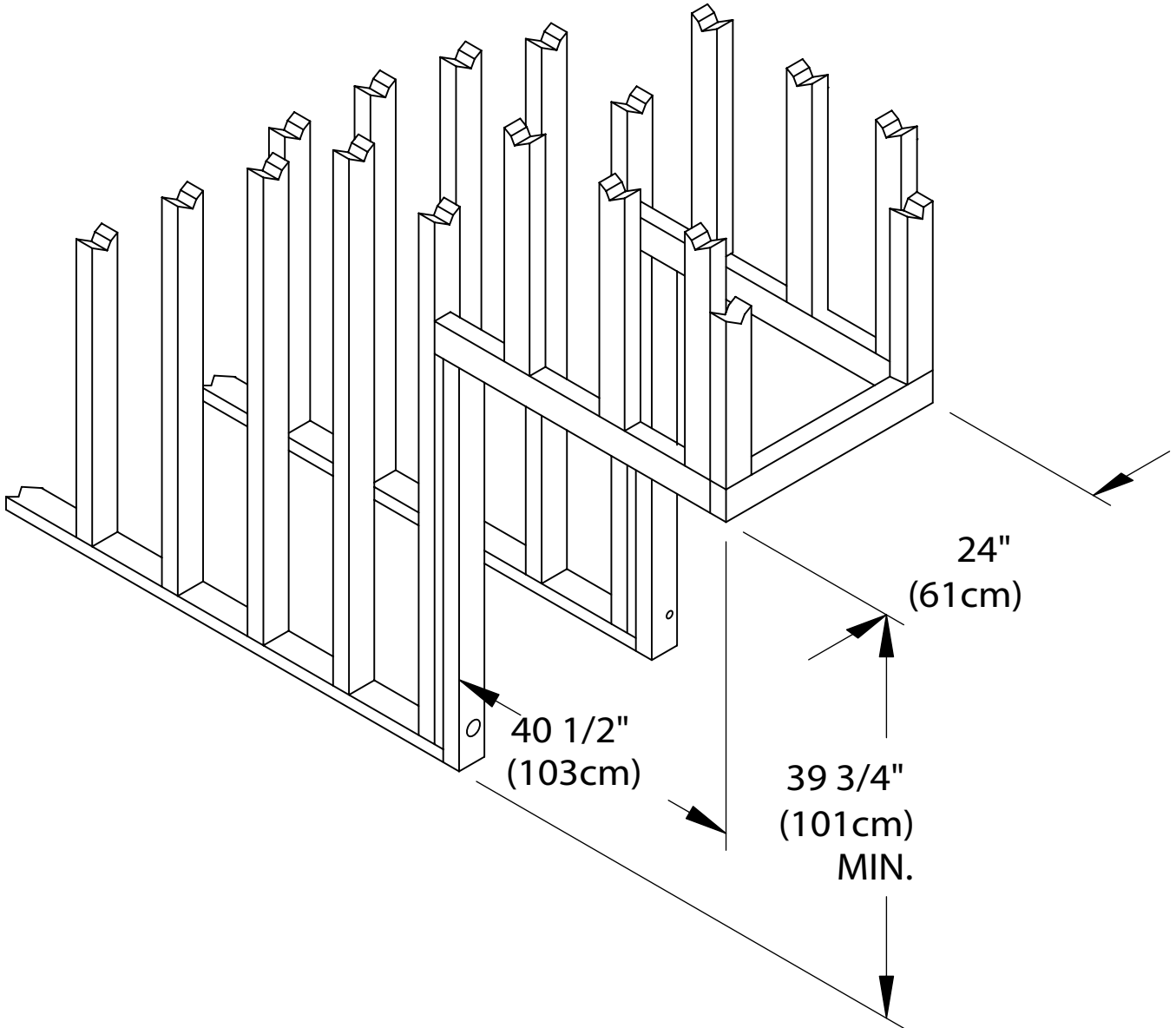
Side View

End View

Sedona

36" Direct Vent corner Fireplace

Framing Dimensions



NOTE:

Built-in Features Such as Mantels, Bookshelves, etc. Made of Combustible Materials Must Maintain Minimum-Clearances from the Fireplace. See Installation Instructions for Complete Information.