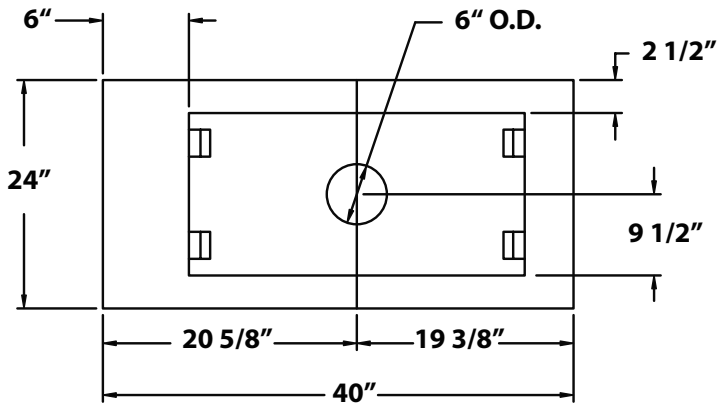
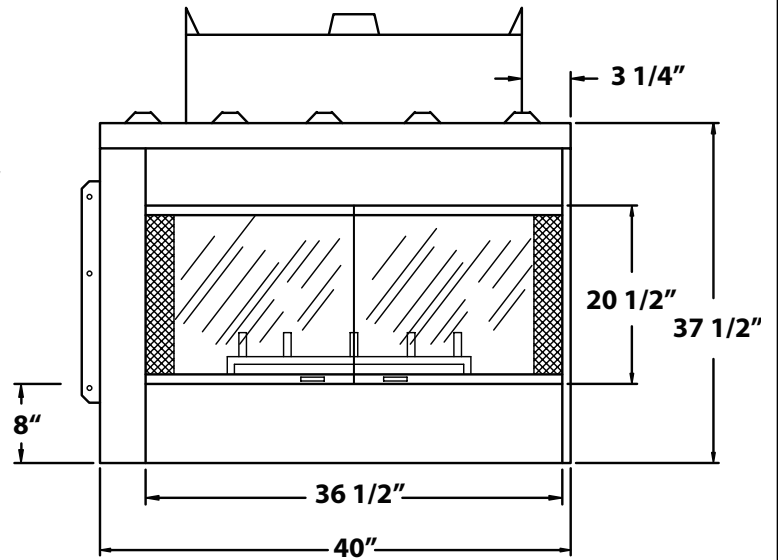


Marblehead

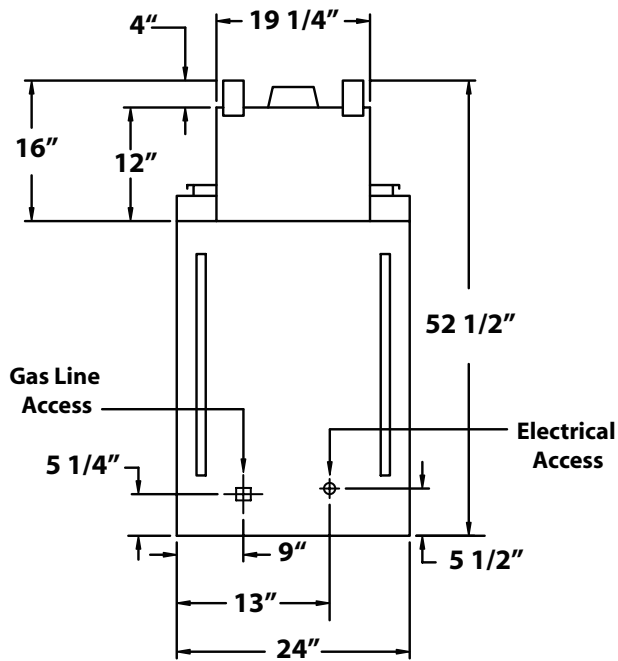
36" B-Vent Peninsula Fireplace



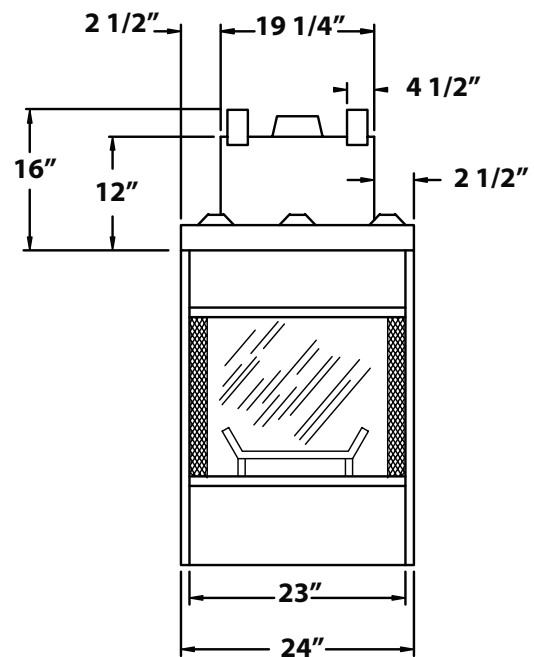
Top View



Front View



Back View

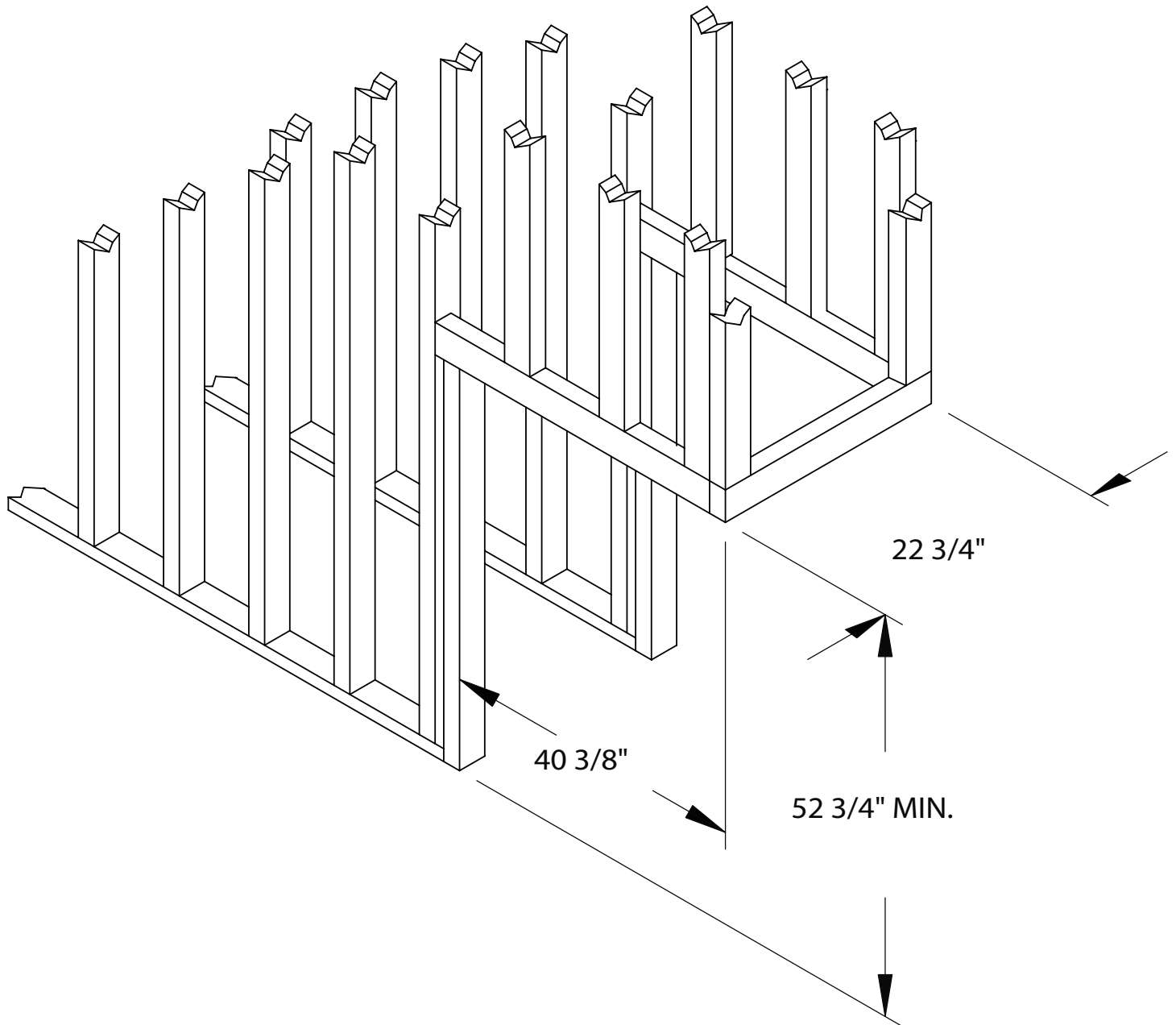


Side View

Marblehead

36" B-Vent Peninsula Fireplace

Framing Dimensions



NOTE:

Built-in Features Such as Mantels, Bookshelves, etc. Made of Combustible Materials Must Maintain Minimum-Clearances from the Fireplace. See Installation Instructions for Complete Information.