

PRODUCT ANNOUNCEMENT

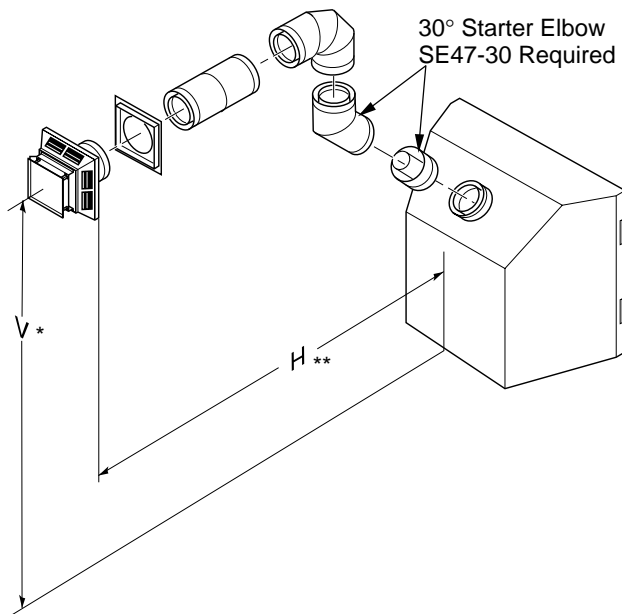
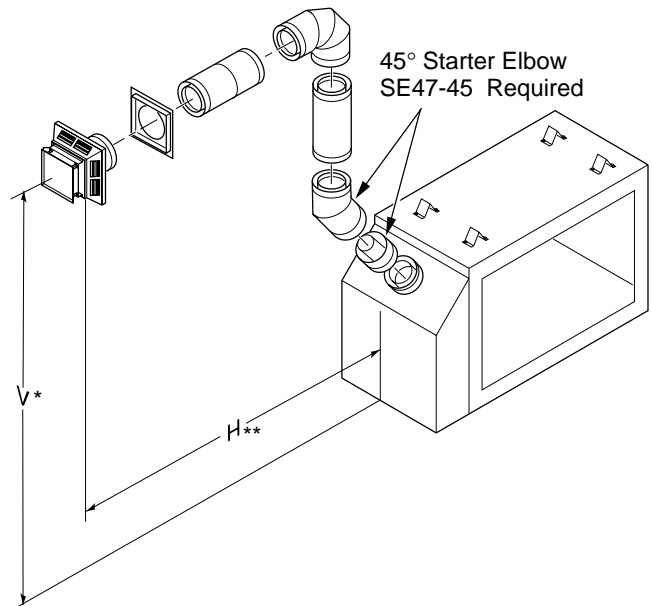
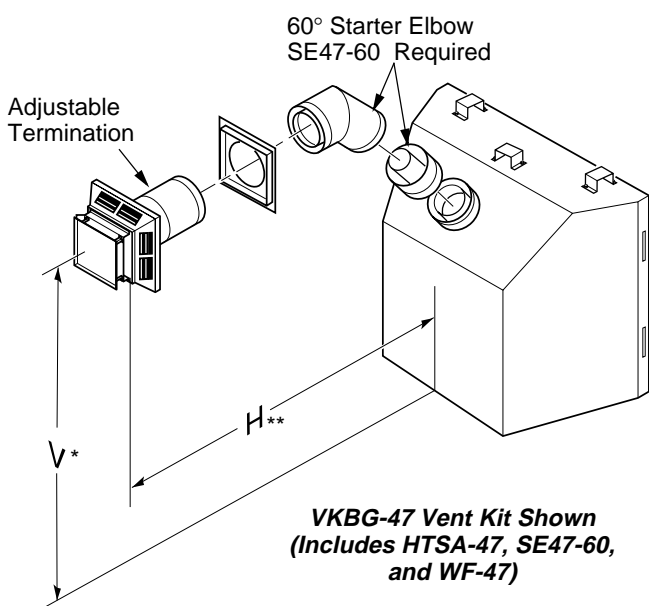
VANGUARD B(H)DV(34,37,41) FIREPLACES, DIRECT-VENT STOVES, AND MULTISIDED DIRECT-VENT FIREPLACES

DESA International has recently introduced our own line of direct-vent pipe and accessories that replaces our prior venting used with the above listed products. Please note that the initial connector elbows will increase the rise of the "V" dimensions by approximately two inches (six inches in the stoves) in all horizontal termination location diagrams in the owner's manual.

IMPORTANT: Horizontal square termination is shown utilizing inner portion of wall firestop only. Horizontal installation using round termination requires the exterior wall portion of the firestop also.

IMPORTANT: Where the termination cap penetrates a combustible wall, a minimum 1" of air space is provided with use of the new wall firestop component (inner portion).

NOTICE: DESA International's Corner Vent Kit Model CCVK or Simpson Dura-Vent GS pipe must be used when pairing Direct-Vent Fireplace System B(H)DV34 series with optional corner mantels GMC36GF, GMC37U and GM202F.

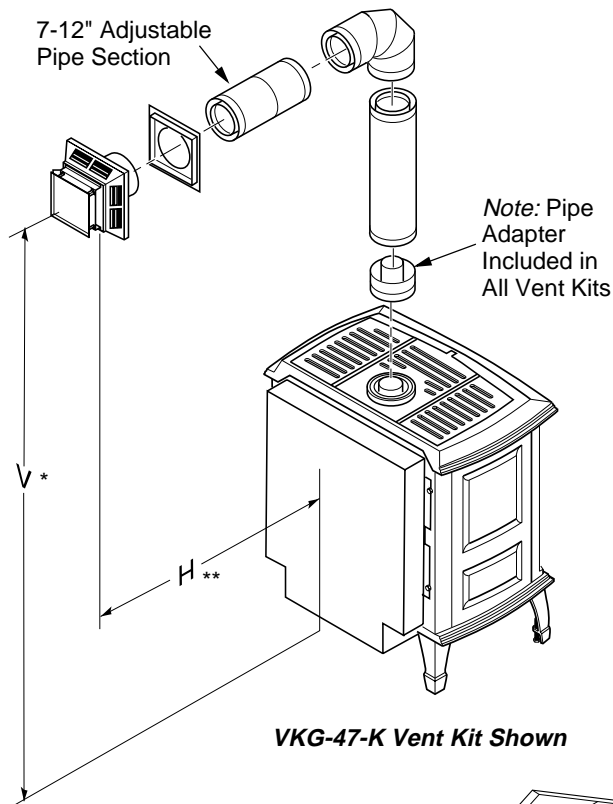


Horizontal Venting

Vertical (V)	Horizontal (H)
*" minimum	**" maximum

* Vertical distance increases two (2) inches when utilizing new 4 1/4"-7 1/4" direct-vent pipe system.

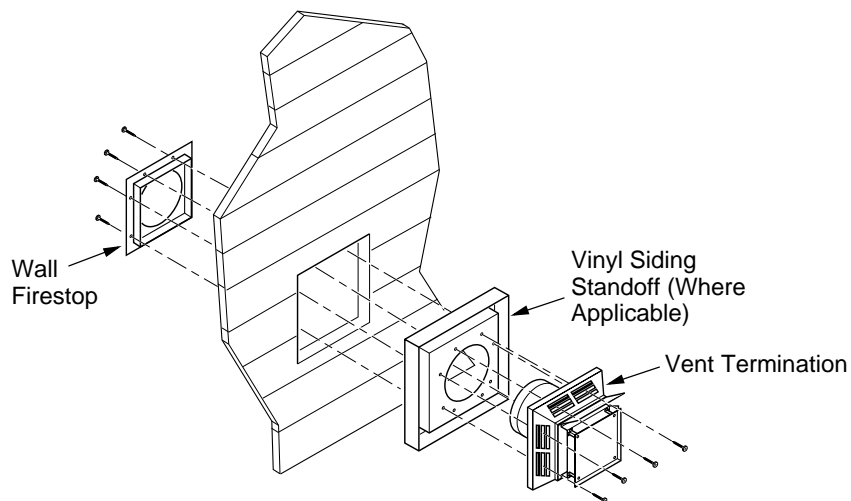
** Per individual installation, refer to installation instructions and follow listed venting parameters.



Horizontal Venting

Vertical (V)	Horizontal (H)
*" minimum	**" maximum

- * Vertical distance increases 7 inches on DV stoves when utilizing new 4¹/₄" - 7¹/₄" direct-vent pipe system.
- ** Per individual installation, refer to installation instructions and follow listed venting parameters.



NOTICE: A vinyl siding standoff is required with horizontal vent terminations when an outside wall has combustibile siding such as vinyl or cedar. A vinyl siding standoff is available for purchase separately from your distributor. This standoff has been designed and tested to be used with our new direct-vent components.

DESA™

INTERNATIONAL

2701 Industrial Drive
 P.O. Box 90004
 Bowling Green, KY 42102-9004
 www.desatech.com



109419 01

NOT A UPC

109419-01
 Rev. D
 02/02