

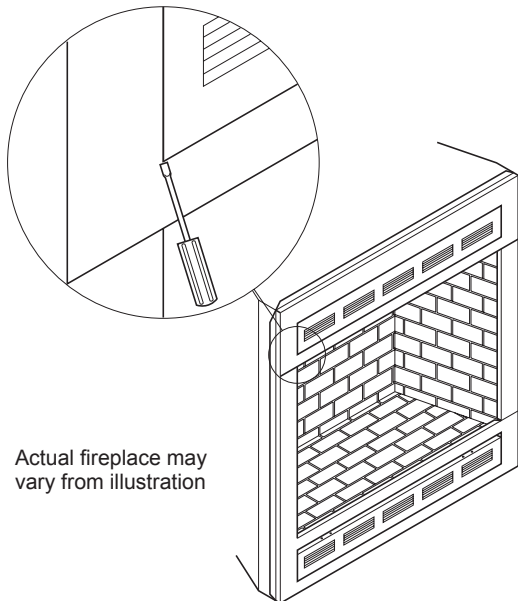
DECORATIVE DOOR INSTALLATION FOR MODELS CD(36,42)RD-1(I,S,W)S AND CD(32,36,42)RC-1(I,S,W)S

If you cannot read or understand these installation instructions, do not attempt to install or operate.

WOOD BURNING, B-VENT AND VENT FREE FIREPLACES

1. For wood burning and vent free fireplaces, remove top and bottom (if equipped) louver panels by carefully prying out at corner and slowly pull away from fireplace (see Figure 1). For B-vent fireplaces refer to step 1 and Figure 5, page 2, to remove louver panels.

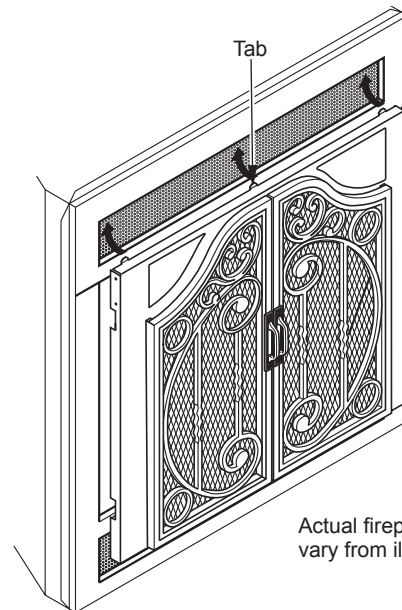
Note: If your fireplace has 2 louver panels you will use both mesh panels included with the decorative door kit. If your fireplace has only one louver, you will use only one of the mesh panels. If your fireplace has control access through the bottom opening, bottom louver will be replaced with the control access door panel.



Actual fireplace may vary from illustration

Figure 1 - Removing Louvers or Smooth Panels (Louvers Shown) (Wood Burning, B-Vent and Vent Free Models)

2. To install perforated mesh panel, start one end between side flange and facing. Slide entire panel into place (see Figure 2).
3. To install control access door panel, slide into lower opening on front of fireplace (see Figure 2). Magnets located on back of access door assembly will hold panel in place.
4. **Two (2) people may be needed for lifting in this step.** To install decorative door assembly, lift and tilt bottom slightly outward and insert 3 tabs into rectangular slots located under top face flange as shown in Figure 3.
5. Open both decorative doors. Secure door frame to fireplace with 2 screws on each side of lower door frame as shown in Figure 4.



Actual fireplace may vary from illustration

Figure 3 - Installing Door (Wood Burning, B-Vent and Vent Free Models)

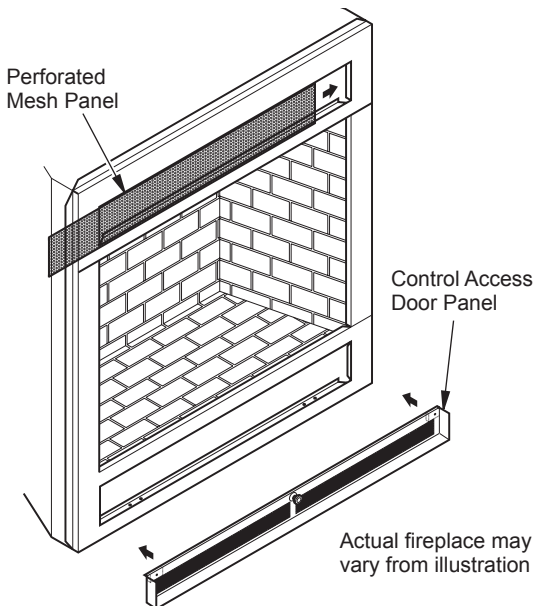


Figure 2 - Installing Mesh Panels (Wood Burning, B-Vent and Vent Free Models)

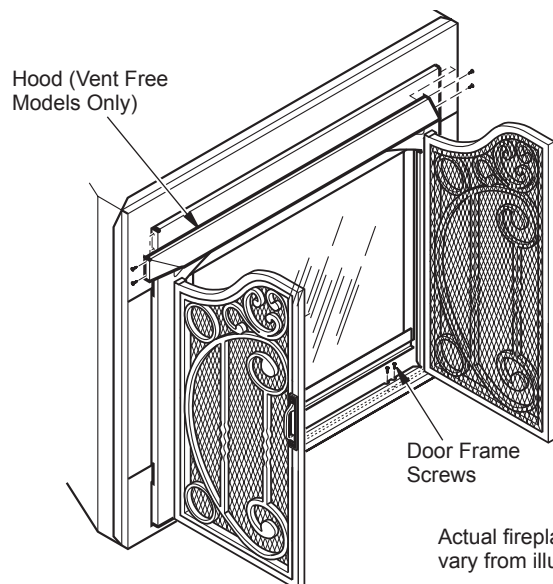


Figure 4 - Attaching Door Frame (All Models) and Installing Hood (Vent Free Models)

- Depending on your installation, your vent free fireplace may require an HD32RC, HD36RC, or HD42RC series hood for proper clearance to combustibles. Attach hood deflector (not included with decorative door kit) with 4 screws as shown in Figure 4, front page.

DIRECT VENT 36" AND 42" FIREPLACES

- Remove existing top and bottom louvers by simultaneously pulling both top end spring latches towards center until disengaged from locating holes (See Figure 5).
- Two (2) people may be needed for lifting in this step.** To install decorative door assembly, lift and tilt bottom slightly outward and insert 3 tabs into rectangular slots located under top face flange as shown in Figure 6.
- Open both decorative doors. Secure door frame to fireplace with 2 screws on each side of lower door frame as shown in Figure 7.
- Install control access door panel by attaching magnets located on back of access door assembly to lower horizontal glass frame as shown in Figure 7.

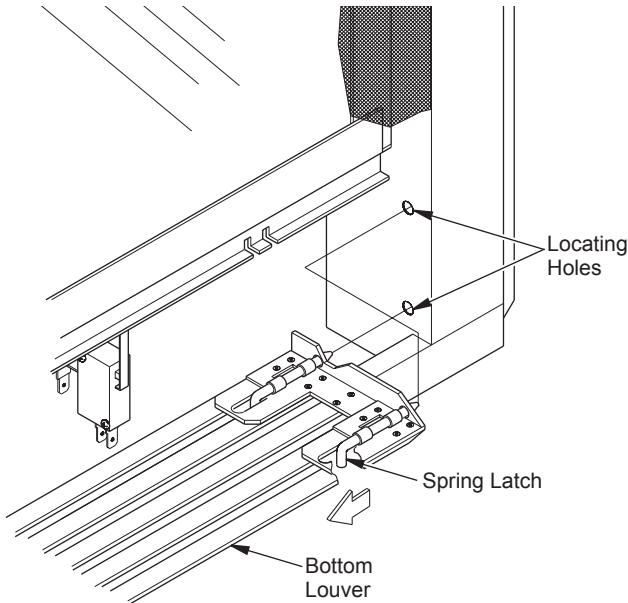


Figure 5 - Removing Louvers (Direct Vent Models)

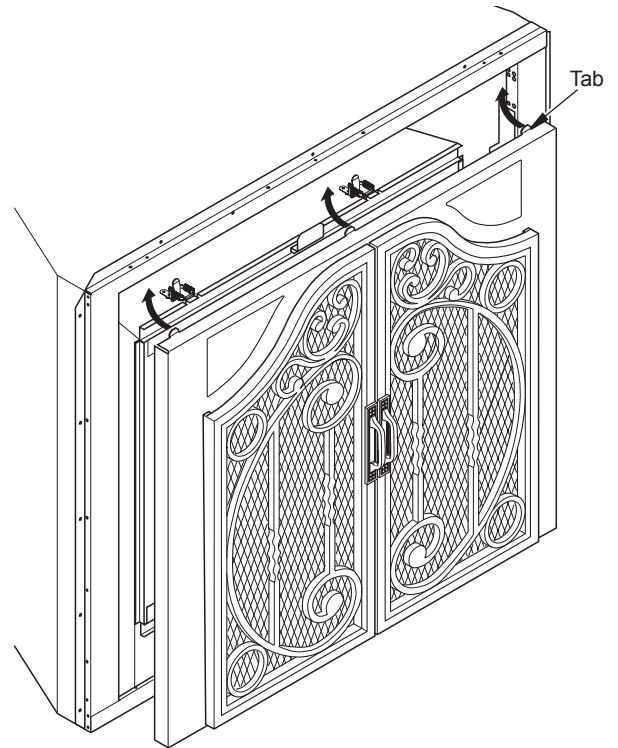


Figure 6 - Installing Door (Direct Vent Models)

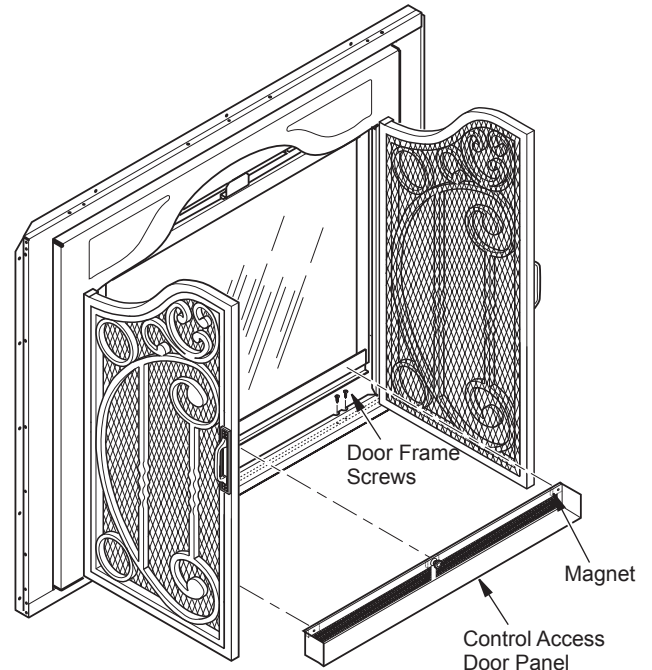


Figure 7 - Attaching Door Frame and Control Access Door Panel (Direct Vent Models)



120512 01
NOT A UPC

DESA

HEATING PRODUCTS

2701 Industrial Drive

P.O. Box 90004

Bowling Green, KY 42102-9004

www.desatech.com

120512-01
Rev. A
06/07



DECORATIVE DOOR INSTALLATION FOR MODELS FD(36,42)RD-1(I,C,G)S

FOR USE WITH 36" AND 42" DIRECT-VENT FIREPLACES ONLY

If you cannot read and understand these installation instructions, do not attempt to install.

1. Remove existing top and bottom louvers by simultaneously pulling both top end spring latches towards center until disengaged from locating holes (see Figure 1). Discard louvers.
2. Attach 2 support brackets as shown in Figure 2.
3. **Two (2) people may be needed for lifting in this step.** To install decorative door assembly, lift and tilt bottom slightly outward and insert 3 tabs into rectangular slots located under top face flange as shown in Figure 3.
4. Install control access door panel by simultaneously pulling both left and right spring latches towards center and, aligning with locating holes in door, releasing spring latches so they engage with locating holes as shown in Figure 4.

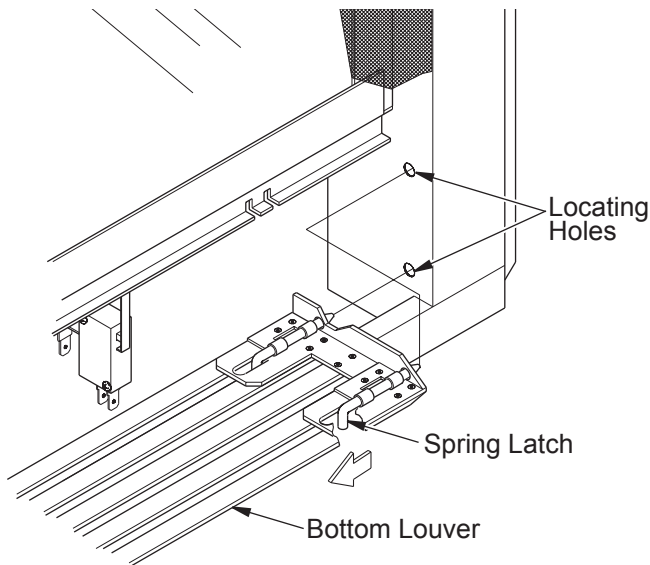


Figure 1 - Removing Louvers

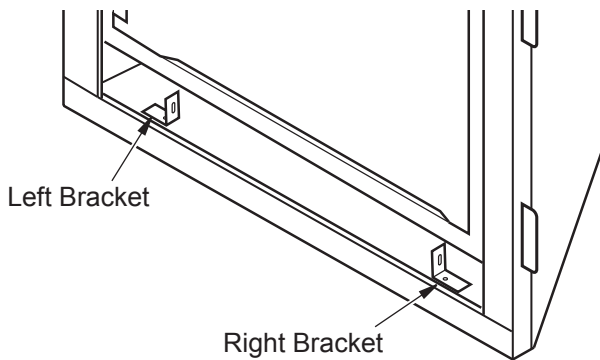


Figure 2 - Installing Support Brackets

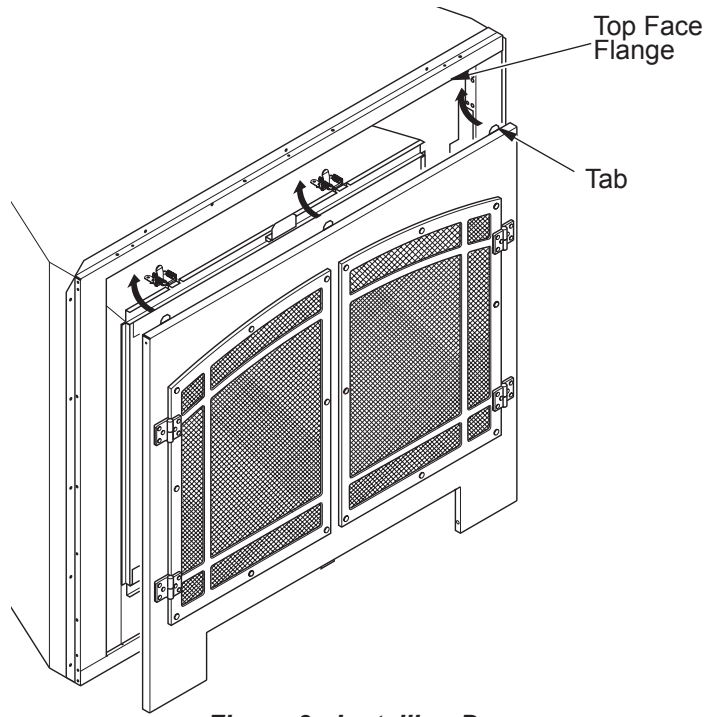


Figure 3 - Installing Door

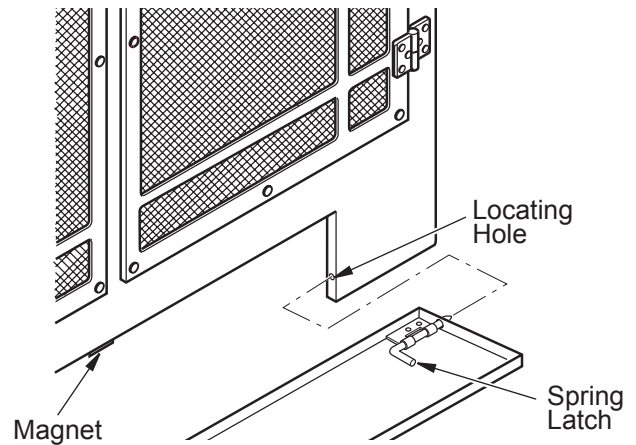


Figure 4 - Installing Access Door



121320 01
NOT A UPC

DESA
HEATING PRODUCTS

2701 Industrial Drive
P.O. Box 90004
Bowling Green, KY 42102-9004
www.desatech.com

121320-01
Rev. C
06/07