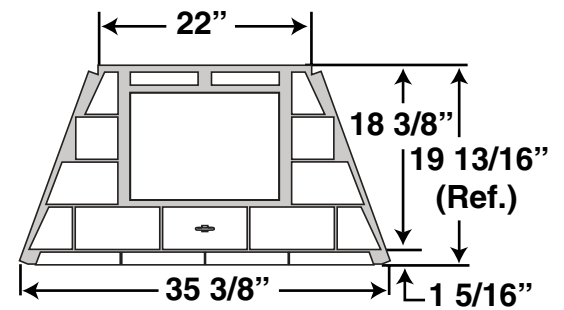
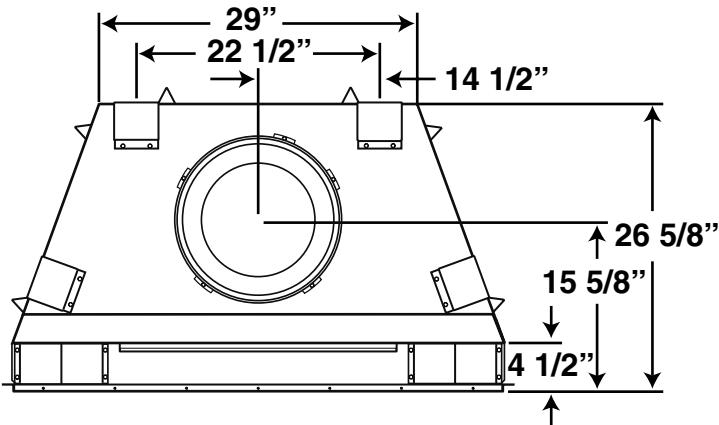
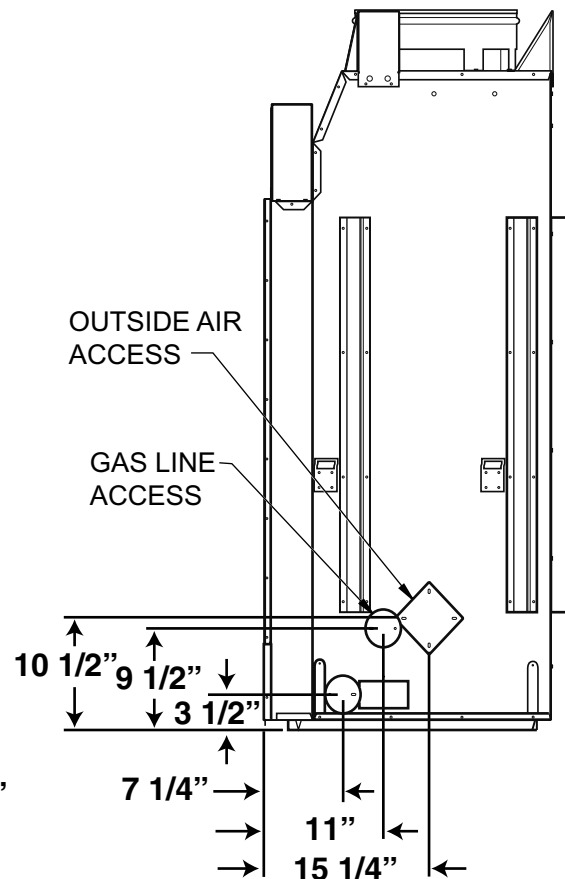
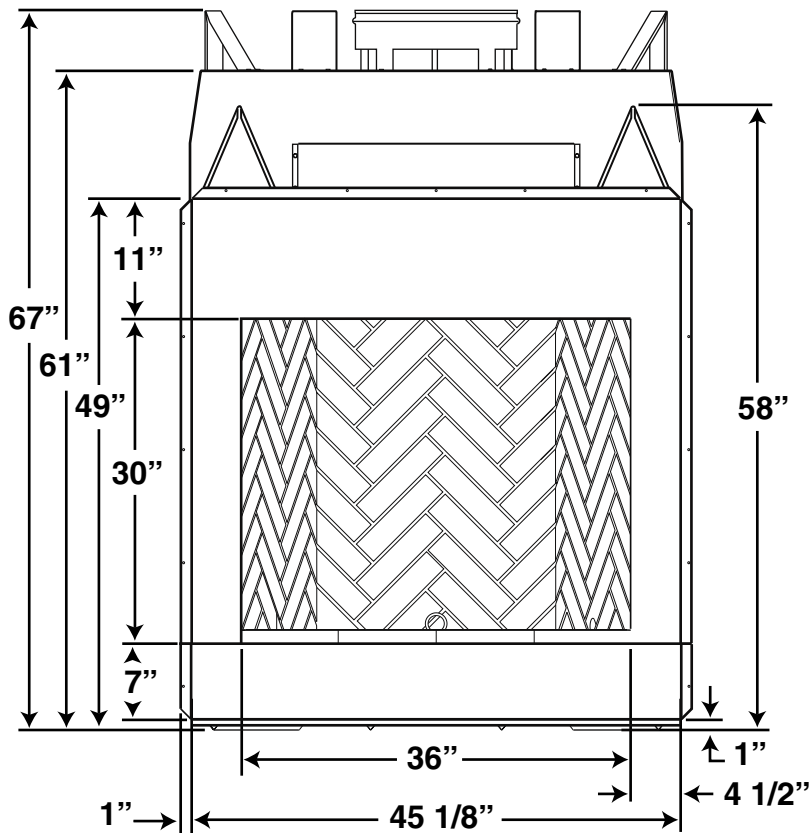


Scepter

- 36" Gas Fireplace
- Mosaic Masonry Technology
- Full Masonry Design
- Full Length Nailing Flanges
- 8" Desa Double Wall or 8" "B" Type Venting



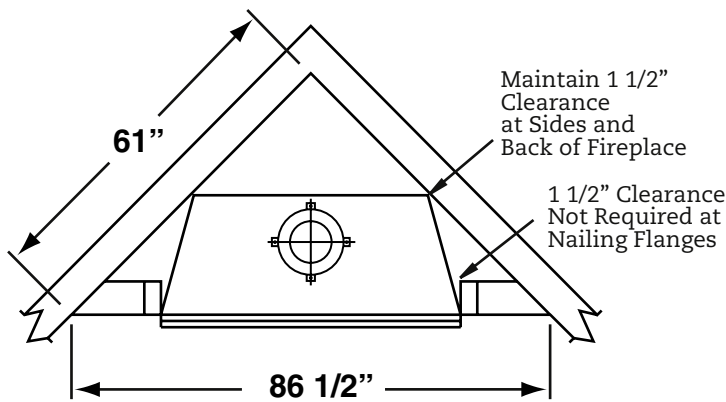
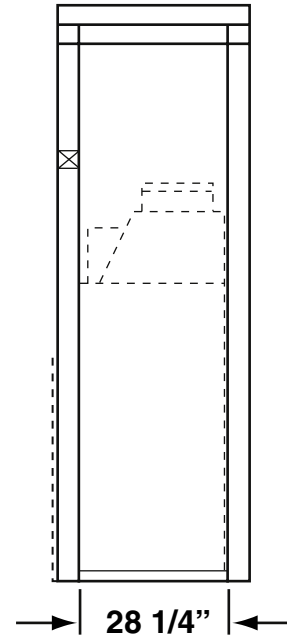
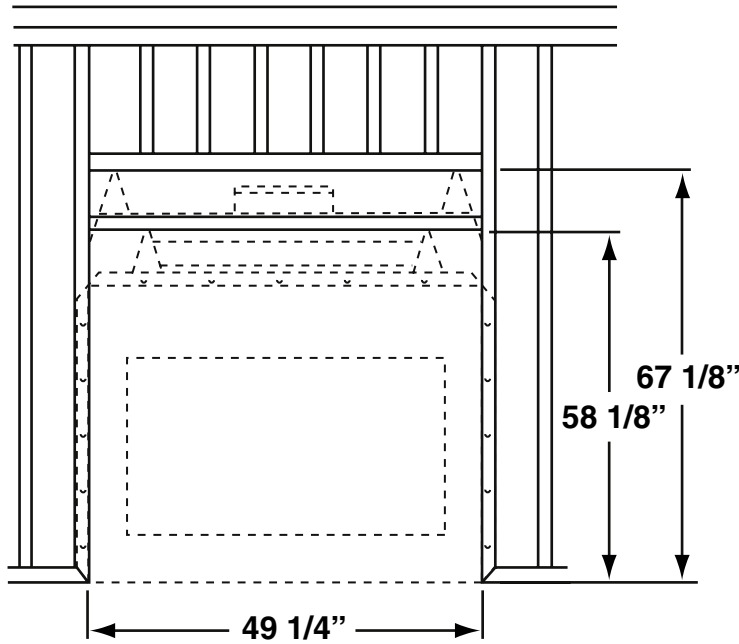
Hearth Dimensions



Scepter

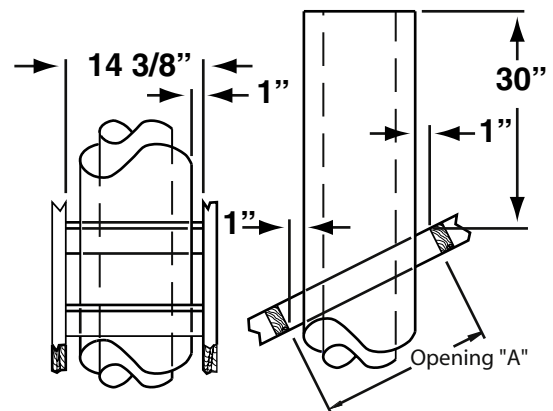
36" Gas Fireplace

Framing Dimensions



Ceiling/ Roof Opening Chart			
Pitch	Slope	Opening "A" Max.	Used Flashing Model No.
Flat	0°	15"	V6F-8DM
0-6/12	26.6°	16 1/8"	V6F-8DM
6/12- 12/12	45.0°	20 3/8"	V12F-8DM

Minimum Measurements



NOTE:

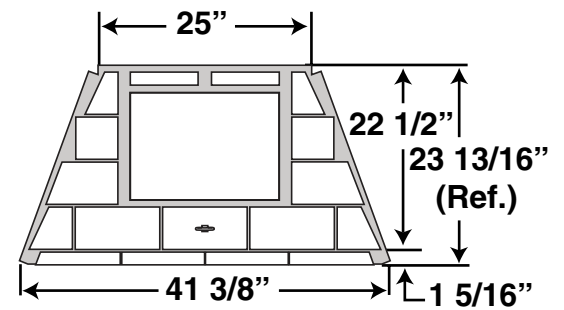
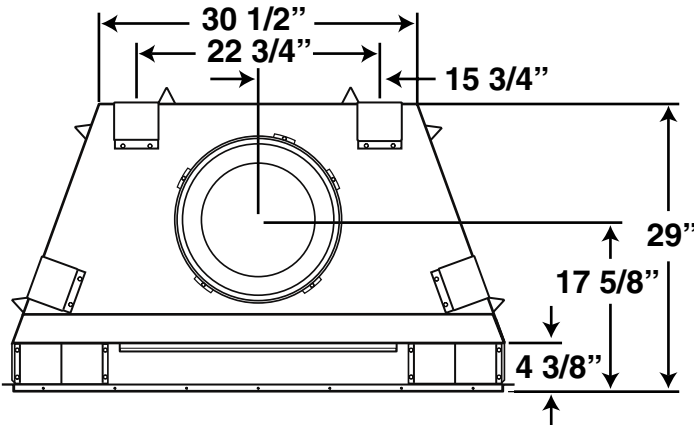
Built-in Features Such as Mantels, Bookshelves, etc. Made of Combustible Materials Must Maintain Minimum Clearances from the Fireplace. See Installation Instructions for Complete Information.

“Product design, features and specifications are subject to change at any time. Refer to current product instructions prior to installation.”

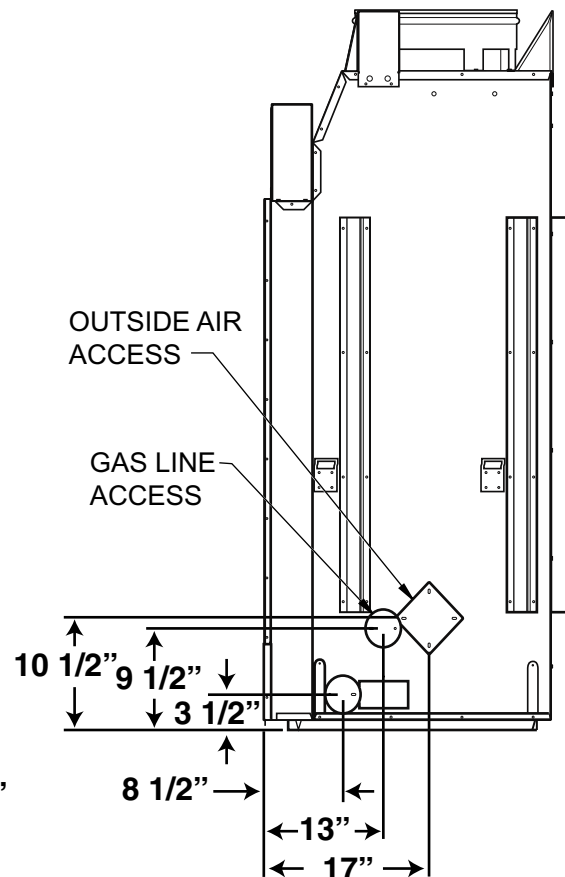
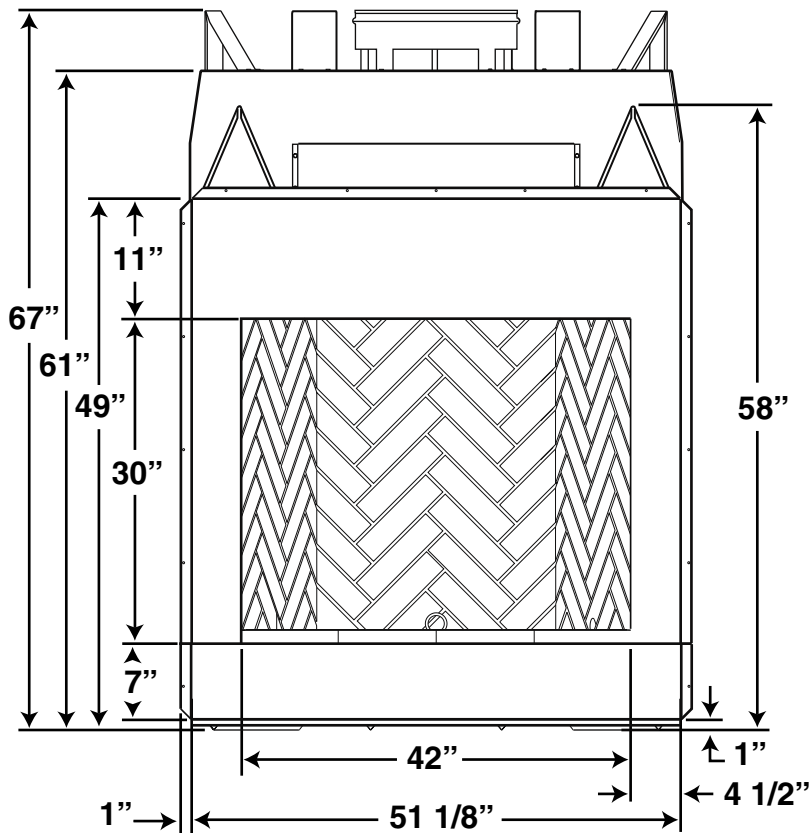


Scepter

- 42" Gas Fireplace
- Mosaic Masonry Technology
- Full Masonry Design
- Full Length Nailing Flanges
- 8" Desa Double Wall or 8" "B" Type Venting



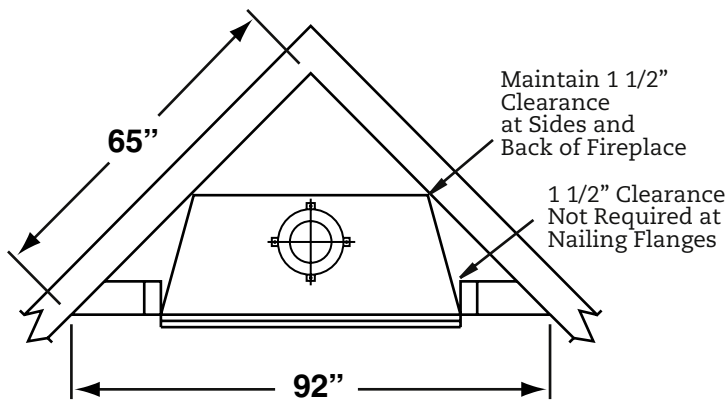
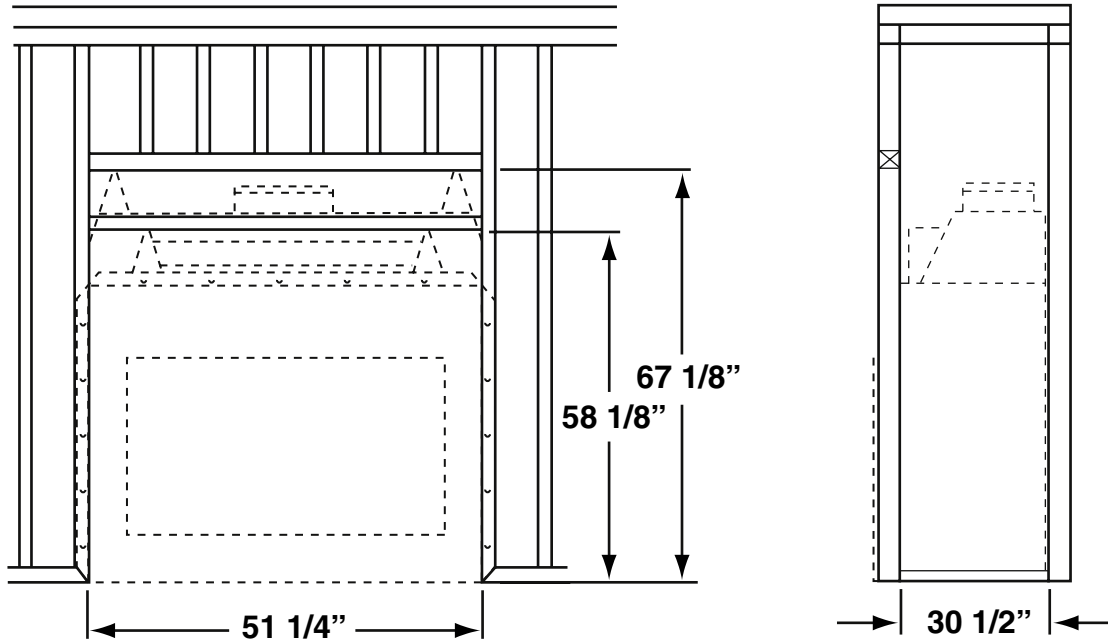
Hearth Dimensions



Scepter

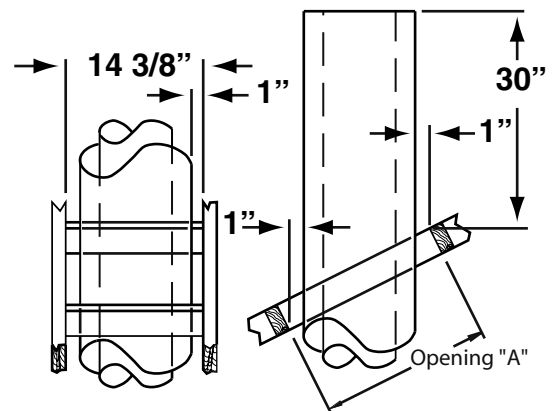
42" Gas Fireplace

Framing Dimensions



Ceiling/ Roof Opening Chart			
Pitch	Slope	Opening "A" Max.	Used Flashing Model No.
Flat	0°	15"	V6F-8DM
0-6/12	26.6°	16 1/8"	V6F-8DM
6/12- 12/12	45.0°	20 3/8"	V12F-8DM

Minimum Measurements



NOTE:

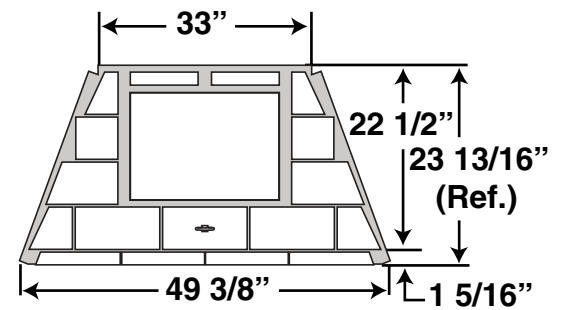
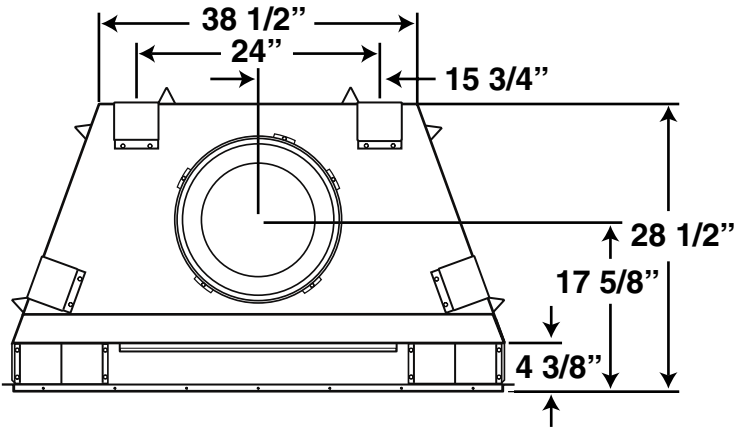
Built-in Features Such as Mantels, Bookshelves, etc. Made of Combustible Materials Must Maintain Minimum Clearances from the Fireplace. See Installation Instructions for Complete Information.

“Product design, features and specifications are subject to change at any time. Refer to current product instructions prior to installation.”

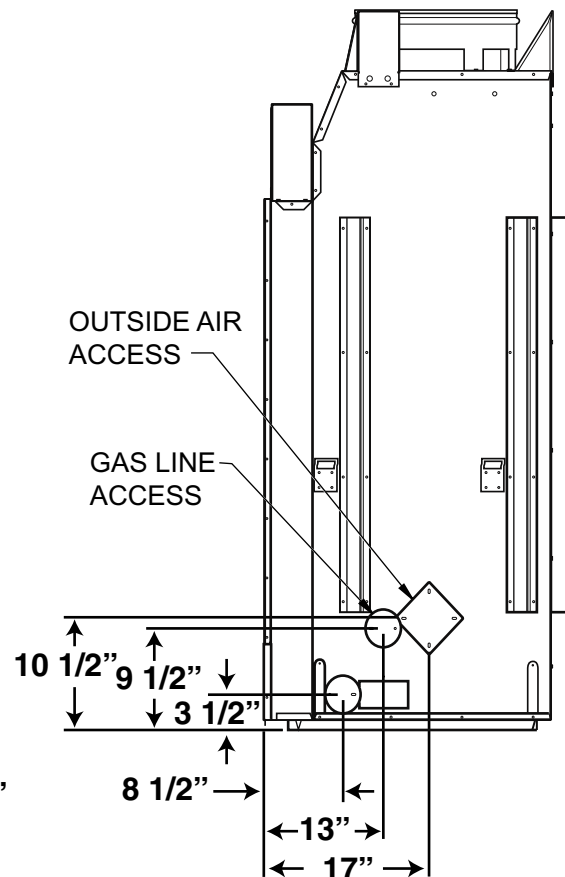
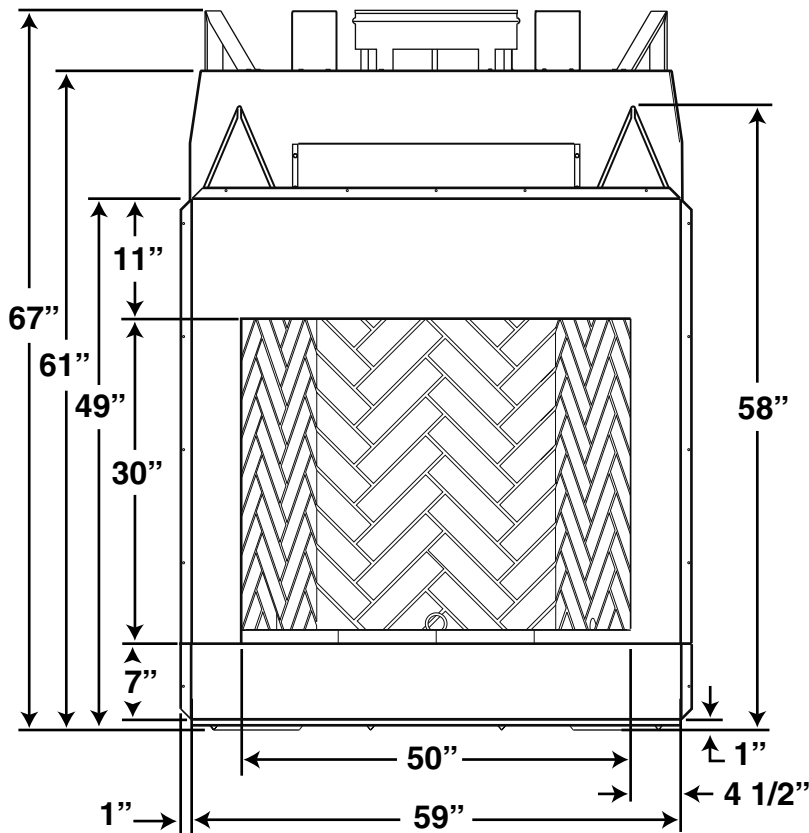


Scepter

- 50" Gas Fireplace
- Mosaic Masonry Technology
- Full Masonry Design
- Full Length Nailing Flanges
- 8" Desa Double Wall or 8" "B" Type Venting



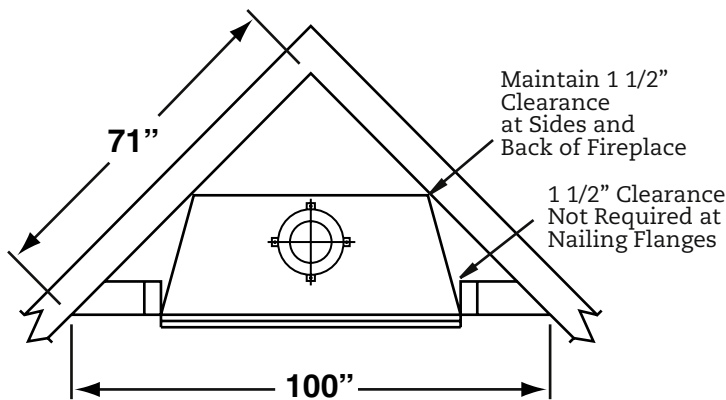
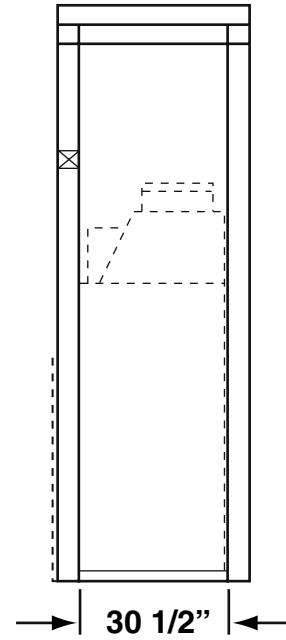
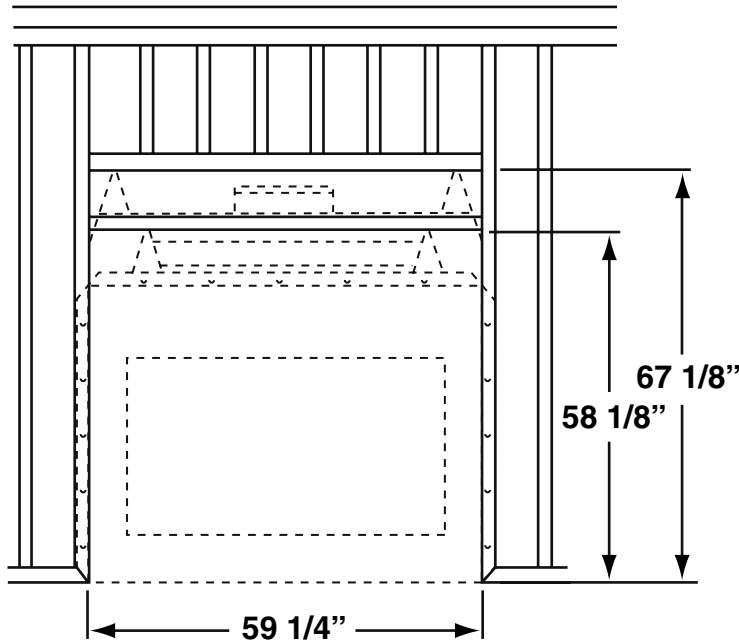
Hearth Dimensions



Scepter

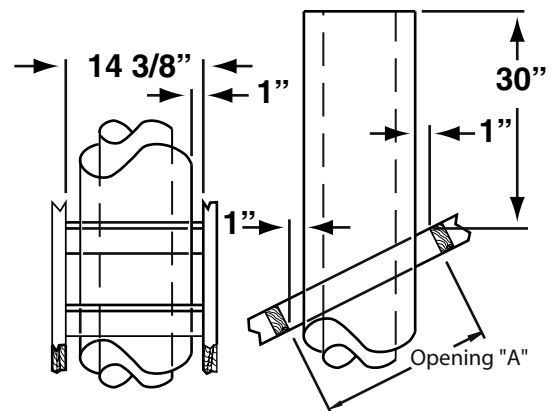
50" Gas Fireplace

Framing Dimensions



Ceiling/ Roof Opening Chart			
Pitch	Slope	Opening "A" Max.	Used Flashing Model No.
Flat	0°	15"	V6F-8DM
0-6/12	26.6°	16 1/8"	V6F-8DM
6/12- 12/12	45.0°	20 3/8"	V12F-8DM

Minimum Measurements



NOTE:

Built-in Features Such as Mantels, Bookshelves, etc. Made of Combustible Materials Must Maintain Minimum Clearances from the Fireplace. See Installation Instructions for Complete Information.

“Product design, features and specifications are subject to change at any time. Refer to current product instructions prior to installation.”

